



G003169

System: ServoFighter, Salwico Cargo

# Conventional Heat Detector

## **Salwico EC-H/A1R**

### **58°C**

Part no. 5200174-00A

### General Description

The EC-H/A1R conventional heat detector belongs to Salwico EC range of detectors. EC is a range of conventional detectors, which have been produced using the latest in manufacturing technology and supplied with an array of advanced features, making them 'better by design'.

The EC-H/A1R thermal detector uses a state of the art thermal element combined with an application specific integrated circuit (ASIC) to provide quick and accurate detection of fires. The detector incorporates both rate of rise and static elements and is suitable for all areas where the ambient conditions do not normally exhibit rapid changes in temperature.

The EC-H/A1R detector also has an integral LED, which illuminates to provide a local alarm signal. An optional remote LED annunciator may be used to repeat any alarm signal.

#### Features

- Low profile design
- Low current draw
- 58°C Fixed Alarm Temperature
- Operates at 12 and 24VDC
- Remote alarm test feature
- Easy Maintenance
- Range of detector bases available
- Remote LED Option
- Approved to EN54 – 5:2000 Class A1R

### Data

#### Electrical Specifications

Operating voltage range	8 – 30 V DC
Maximum standby current at 25 °C	70 µA at 24 V DC
Maximum permissible alarm current	80 mA (current limited by control panel)
Alarm current at 24 V DC	Max 33 mA (with EC-BASE or EC-ADAPT)

#### Environmental Specifications

Operating temperature range	-30 °C to +70 °C
Ambient humidity	5% to 95% RH (non-condensing)

#### Mechanical Information

Height	40.5 mm (plus 9.5 mm for standard base, 21 mm for deep base)
Diameter	102 mm
Weight	70 g ± 5% (plus 45 g for standard base)
Wire gauge for terminals	0.4 mm <sup>2</sup> to 2.0 mm <sup>2</sup>
Colour	Approximates to RAL9016
Material	ABS
Ingress protection	IP40/IP23 (depending on base used)

#### Certificates

Certified according to EN54-5 : 2000 Class A1R + A1



0832/yyyy

yyyy = year of production

<b>CE</b>
Conventional Heat Detector
EN54-5 : 2000 Class A1R + A1 5200174-00A EC-H/A1R 58°C 2831 17 DOP-CFD041
Consilium, Marine and Safety AB Salmästaregatan 21 P.O. Box 8763 SE-402 76 GOTHENBURG Sweden

OEM Part no. 156-3769-006

### Installation

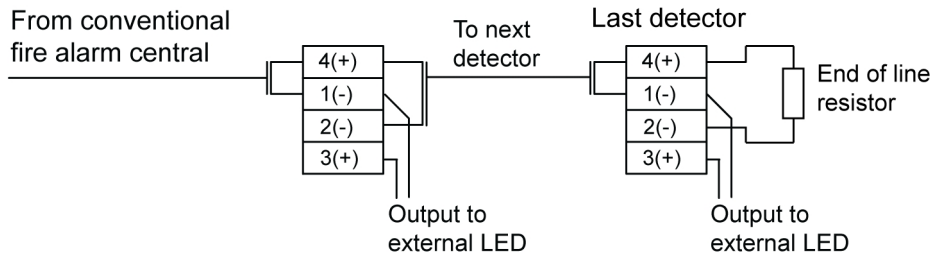
1. Place the detector into the detector base and rotate clockwise with gentle pressure until the detector drops into place.
2. Continue rotating clockwise until the slot in the detector cover lines up with the lines moulded in the base.
3. After all detectors have been installed, apply power to the detector monitoring circuits.

### Detector Bases

For dry spaces      5200177-00A EC-BASE  
 For wet spaces     46950 IP55 Base  
                              5200178-00A EC-ADAPT IP55

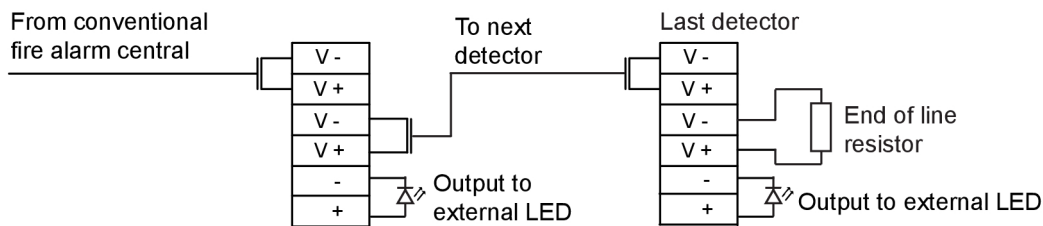
### Connection

#### Connection for EC-BASE



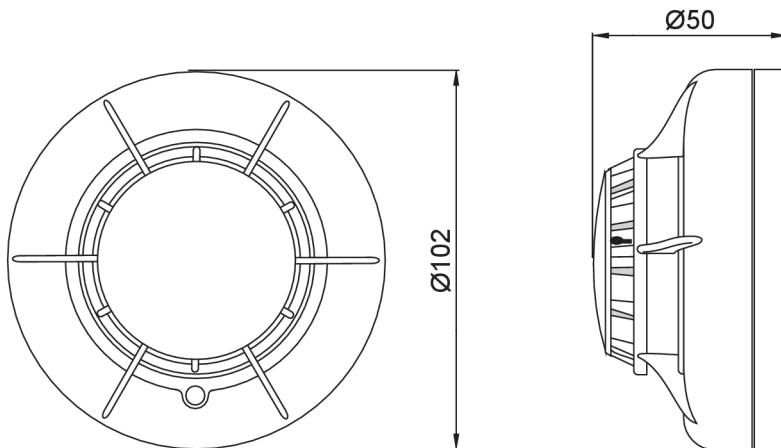
G003189

#### Connection for EC-ADAPT



G003545

### Dimensions (mm)



G003191