



G004880

System: Salwico GS5000

Gas Alarm Panel Module

Control M Gas External

Part no. 5103001-03G

General Description

The Control M Gas is a control panel with a 4.3" graphical colour display used to manage and supervise a gas alarm system. Control M Gas External can be mounted on any flat surface or flush mounted, independently from a gas alarm cabinet.

Control M Gas External is equipped with communication buses for connecting to the system via BBE interface RS-485 or BBE interface PB-485.


Features:

- A backlit 4.3" graphical colour display
- Alarm buzzer
- LED status indicators
- Backbone Bus Interface RS-485
- Backbone Bus Interface PB-485 (Power Boost loop)
- USB interface (for service & maintenance)
- Two configurable inputs
- Three programmable outputs

Refer to the User Guide for more information on operating Control M Gas.

For details on assembling a system and definitions of common system terms, refer to the Installation Manual.

Data

Operating voltage range	22-48 VDC
Current consumption (at 24V)	92 mA
Ingress protection	IP55
Operating temperature range	-5°C to +55°C
Weight	620 g
Display	4.3", 480×272 pixels, TFT
USB port	USB 1.1 Embedded Host
RS-485 interface	Isolated
2 digital inputs	24 VDC, open circuit supervision
3 digital outputs	24 VDC max. 40 mA, no supervision
Certified according to	 0845/yy yy = year of production

Indicators and Buttons



G004914

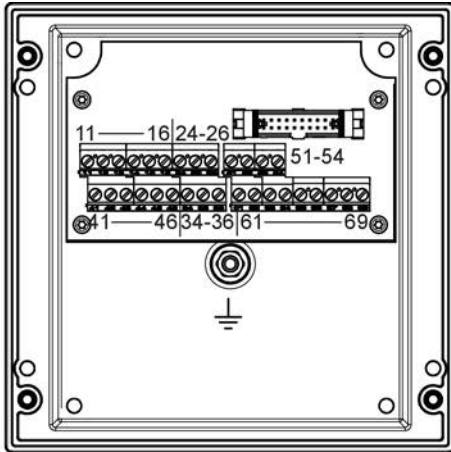
Refer to the User Guide for more information.

Addressing

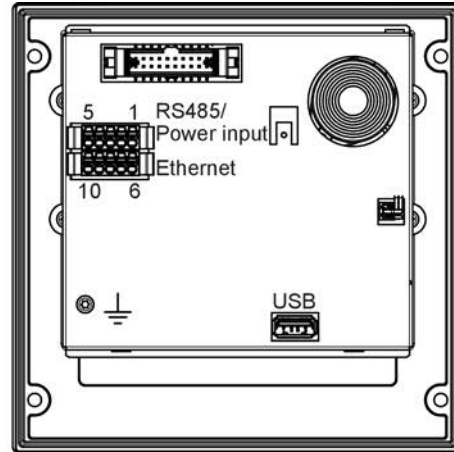
Available addresses for Control M Gas External are between 1 and 10.

As a system master controller it must have address 1.

Terminals



CONNECTION BOARD



FRONT PANEL REAR

EXTERNAL CONTROL M GAS ADDRESS: 1	12	ISOLATED SERIAL INTERFACE CHANNEL	SG	69
			D-	68
			D+	67
	11	OUTPUT #3 PROGRAMMABLE	24V	66
			40mA	65
	10	OUTPUT #2 PROGRAMMABLE	24V	64
			40mA	63
	9	OUTPUT #1 PROGRAMMABLE	24V	62
			40mA	61
	8	INPUT #2	-	54
			+	53
	7	INPUT #1	-	52
		+	51	
	6	BACKBONE BUS EXTERNAL RS485/PB485-2B	D-	46
			D+	45
				44
	5	POWER INPUT/OUTPUT 19-48VDC	PBx	43
			-	42
			+	41
	4	BACKBONE BUS EXTERNAL RS485/PB485-1B	D-	36
			D+	35
				34
	3	BACKBONE BUS EXTERNAL RS485/PB485-2A	D-	26
			D+	25
				24
	2	BACKBONE BUS EXTERNAL RS485/PB485-1A	D-	16
			D+	15
				14
	1	POWER INPUT/OUTPUT 19-48VDC	PBx	13
			-	12
			+	11

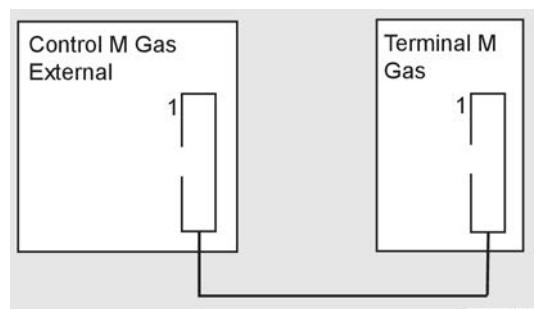
ETHERNET	ETHERNET Tx	Tx-	10
	=> Only for firmware updates	Tx+	9
	ETHERNET Rx	Rx-	8
	=> Only for firmware updates	Rx+	7
	GROUND, ETHERNET	G	6
RS485	POWER INPUT 24VDC	V+	5
	=> Not used	V-	4
	EXTENSION BUS RS485	D+	3
	=> Not used	D-	2
	SIGNAL GROUND, RS485	SG	1

G004917

Connections

Control M Gas External mounts outside of the central.

Using ribbon cables connect the Control M Gas to Terminal M Gas.



G004968

Figure 1. Control M Gas connected to Terminal M Gas

RS-485 Termination

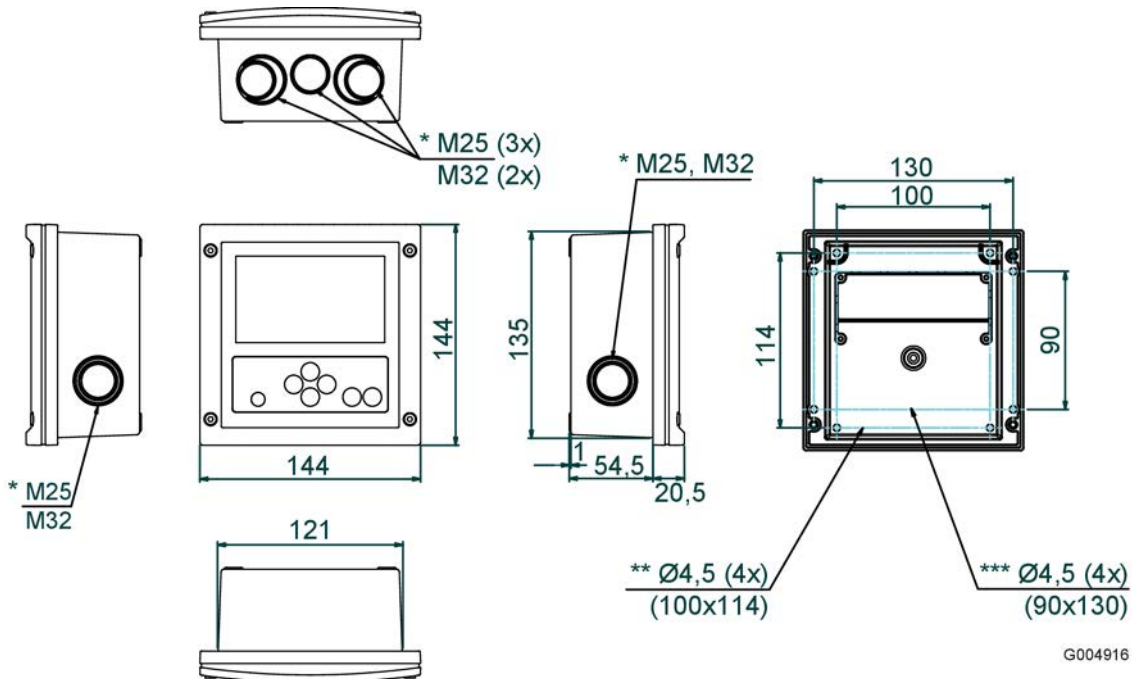
Termination shall be made at each end of the bus (first and last module on the RS-485 segment) with a 120 ohm resistor. Two resistors (in a plastic pocket) are included in delivery.

For recommendations and examples on RS-485 Termination, refer to the Installation Manual.

EXTERNAL CONTROL M GAS ADDRESS: 1	12	ISOLATED SERIAL INTERFACE CHANNEL	SG	69	
			D-	68	
			D+	67	
	11	OUTPUT #3 PROGRAMMABLE	24V 40mA	66	
				65	
	10	OUTPUT #2 PROGRAMMABLE	24V 40mA	64	
				63	
	9	OUTPUT #1 PROGRAMMABLE	24V 40mA	62	
				61	
	8	INPUT #2	-	54	
			+	53	
	7	INPUT #1	-	52	
			+	51	
	6	BACKBONE BUS EXTERNAL RS485/PB485-2B	D-	46	
			D+	45	
				44	
5	POWER INPUT/OUTPUT 19-48VDC	PBx	43		
		-	42		
		+	41		
4	BACKBONE BUS EXTERNAL RS485/PB485-1B	D-	36		
		D+	35		
			34		
3	BACKBONE BUS EXTERNAL RS485/PB485-2A	D-	26		
		D+	25		
			24		
2	BACKBONE BUS EXTERNAL RS485/PB485-1A	D-	16		
		D+	15		
			14		
1	POWER INPUT/OUTPUT 19-48VDC	PBx	13		
		-	12		
		+	11		

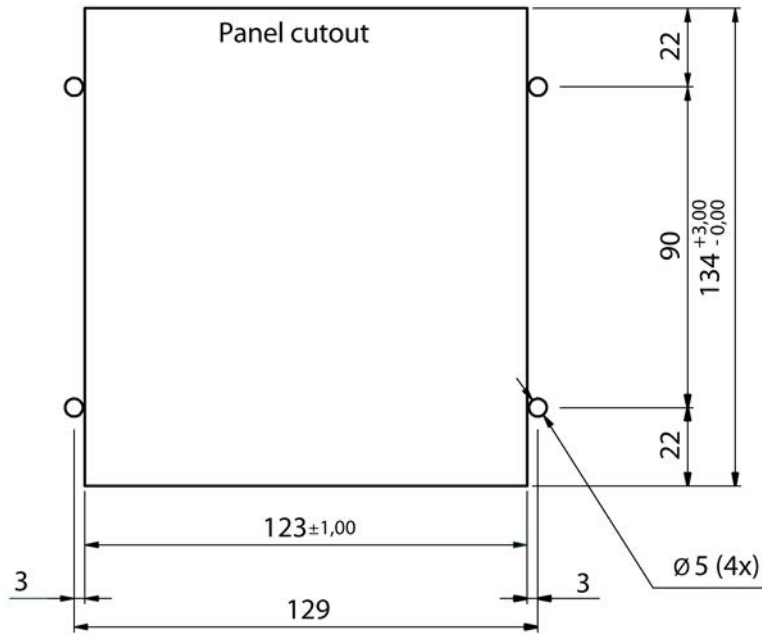
G010127

Module Dimensions (mm)



- * Knockouts
- ** Mounting holes for wall mount
- *** Mounting holes for inset

Mounting Dimensions (mm)



G001730