

G000268

I/O M 700 H

Part no 5100077-01A

System: TS1000/CM-4.3 & TS1000/CM-2.2

General Description

I/O M 700 provides eight programmable I/O 700 channels, used for either:

- Programmable Inputs
- Outputs max* 700 mA for magnets, power supply etc

Use the I/O M 700 as an input module, or use it to monitor, control, and/or supply units such as alarm devices, Solenoids. It can also provide constant power supply to other system modules such as Control and Repetar Panels etc.

For details on assembling a system and definitions of common system terms, refer to the Installation Manual.

* Used as an output module, I/O M 700 can provide max output I 400 mA, if two outputs are connected together.

Data

Operating voltage range	19-30 VDC
Current consumption (at 24 V)	17 mA
Max. output current per channel	700 mA
Max. total current	4,0 A
ELR input	30 k Ω (optional)
Cable terminals	2,5 mm ²
Operating temperature range	-40°C to +85°C (Tx)
	130g
Spare part no. (without housing)	5100076-01A
Certified according to	EN 50155

Protections against overload

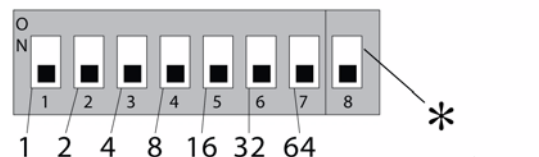
Module protection	Equipped with a fusible cut-out
Adjustable protection, max total	4 A / system module
Protection on each output	Normal current 0,7 A For short duration, 2 A electronic limit, before the load is disconnected

Settings

The module is identified by a physical address on the Backbone Bus. The address is set with an 8-pole DIP switch.

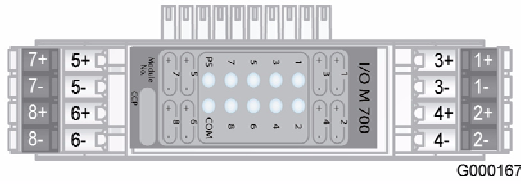
Address switch

The DIP switch value follows the binary system. The address no. can be set from 1 to 126 using DIP-switch poles 1 to 7.



* When DIP-switch pole 8 is set to ON power outputs 5 to 8 is constantly active as long as the module is powered.

Connections

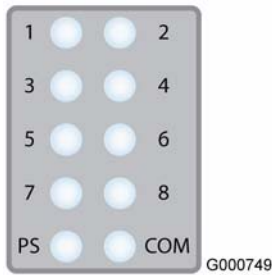


I/O M 700							
ADDRESS:							
1	2	3	4	5	6	7	8
I/O 700	I/O 700	I/O 700	I/O 700	I/O 700	I/O 700	I/O 700	I/O 700
PROGRAMMABLE OUTPUT	PROGRAMMABLE OUTPUT	PROGRAMMABLE OUTPUT	PROGRAMMABLE OUTPUT	PROGRAMMABLE OUTPUT	PROGRAMMABLE OUTPUT	PROGRAMMABLE OUTPUT	PROGRAMMABLE OUTPUT
24V 0.7A	24V 0.7A	24V 0.7A	24V 0.7A	24V 0.7A	24V 0.7A	24V 0.7A	24V 0.7A
1+	1-	2+	2-	3+	3-	4+	4-

G002247

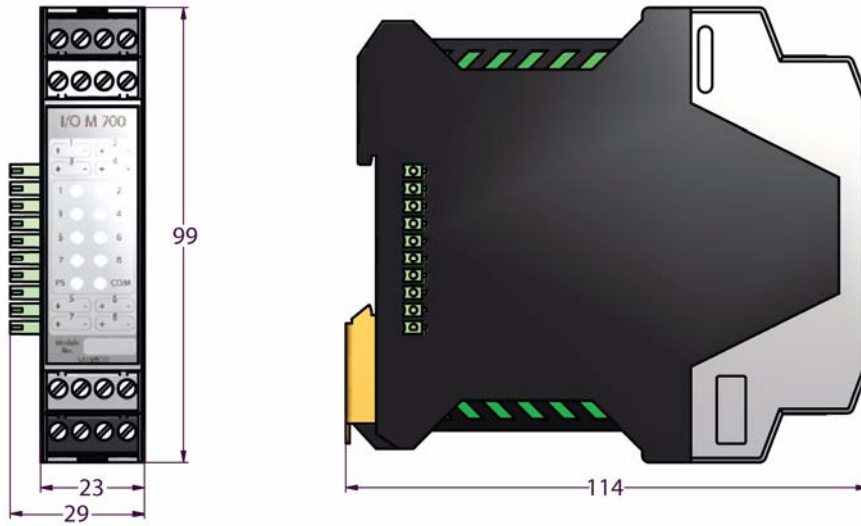
Indicators

I/O M 700 indicators display input and output status.



Indicator	Indicator Colour	Status when used as an output	Status when used as an input
Channels 1 – 8	Green	The output is ON	The input is activated
	Yellow	Output fault	Input fault
	None	The output is OFF	The input is not activated
Indicator	Indicator Colour	Status	
PS (Power Supply)	Green	OK	
	Yellow, steady	Power Fault	
	Yellow, flashing	Boot loader mode	
COM (Communication)	Green, steady	OK	
	Green, flashing	Unconfigured	
	Yellow, steady	Faulty communication	
	Yellow, flashing	Major fault	
	None	No communication	
PS + COM (both flashing)	PS Yellow, flashing	Transferring software	
	COM Green, flashing		

Module Dimensions (mm)



G001037

Mounting

Mount the module horizontally on a 35 mm DIN rail.