



BusCon M 10 H

Part no. 5100056-01A

System: Salwico Cargo, Salwico Cruise, Salwico LNG, Salwico Offshore, Salwico Ro/Pax, Salwico Workboat, Salwico Yacht, Salwico Navy, OEM Extinguish

G001755

General Description

BusCon M 10 has two major functions:

- Terminal board for functions in Control Panel M4.3 and Control/Repeater M4.3
- Terminal board for Backbone Bus External BBE (RS485 Repeater)



NOTE!

BusCon M 10 does not provide a galvanically isolated bus communication BBE.

These functions can be used together or individually.

The module BusCon M 10 has one connection for either RS232 or RS485 communication.

For details on assembling a system and definitions of common system terms, refer to the Installation Manual.

Data

Operating voltage range	19-30 VDC
Current consumption (at 24V)	3 mA
Cable terminals	2.5 mm ²
Operating temperature range	-5°C to +55°C
Weight (with housing)	130g
Spare part no. (without housing)	5100055-A01

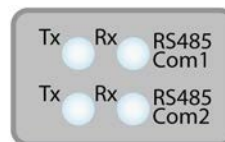
Certified according to



2531/yy
yy = year of production

Indicators

The LEDs on the BusCon M 10 indicate the status of the Backbone Bus communication.

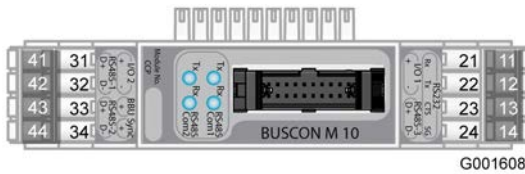
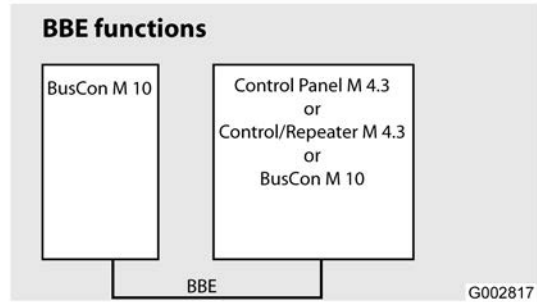
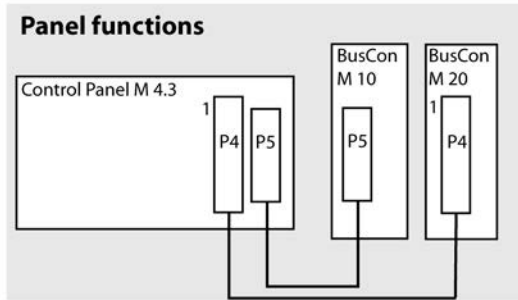


G002183

Table 1.

Indicator	Indicator color	Status
Tx (Com 1) (RS485)	Green	OK
	None	No communication
Rx (Com 1) (RS485)	Green	OK
	None	No communication
Tx (Com 2) (RS485)	Green	OK
	None	No communication
Rx (Com 2) (RS485)	Green	OK
	None	No communication

Connections

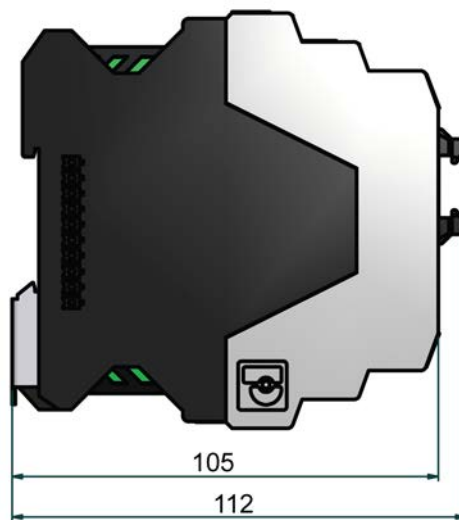
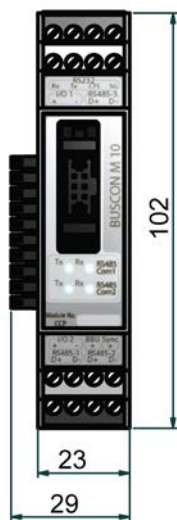


G001608

BUSCON M 10 ADDRESS			PANEL FUNCTIONS			BBE FUNCTIONS		
3			1	2	1	2		
ISOLATED SERIAL INTERFACE CHANNEL			I/O 70 PROGRAMMABLE OUTPUT	I/O 70 PROGRAMMABLE OUTPUT	* Do not connect to this terminal!	BACKBONE BUS 2 IN/OUT (RS485)	D-	44
RS232/485			24V 70mA +	24V 70mA +	BBU	BACKBONE BUS 1 IN/OUT (RS485)	D+	43
Rx	Tx	CTS	D-	D+			D-	42
11	12	13	24	23	34		D+	41
			21	22	33			

G002265

Module Dimensions (mm)



G003227

Mounting

Mount the module on a horizontal 35 mm DIN rail.