



G001755

BusCon M 10 H

Part no. 5100056-01A

System: TERRA FIRE

General Description

BusCon M 10 has two major functions:

- Terminal board for functions in Control Panel M4.3 and Control/Repeater M4.3
- Terminal board for Backbone Bus External BBE (RS485 Repeater)



NOTE!

BusCon M 10 does not provide a galvanically isolated bus communication BBE.

These functions can be used together or individually.

The module BusCon M 10 has one connection for either RS232 or RS485 communication.

For details on assembling a system and definitions of common system terms, refer to the Installation Manual.

Data

Operating voltage range	19-30 VDC
Current consumption (at 24V)	3 mA
Cable terminals	2.5 mm ²
Operating temperature range	-5°C to +55°C
Weight (with housing)	130g
Spare part no. (without housing)	5100055-A01
Certified according to	



2531-CPD-
232.1686

Indicators

The LEDs on the BusCon M 10 indicate the status of the Backbone Bus communication.

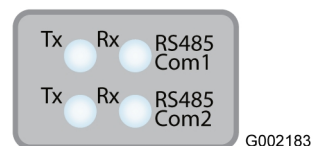
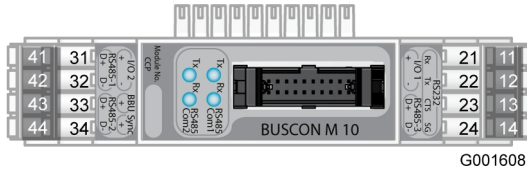
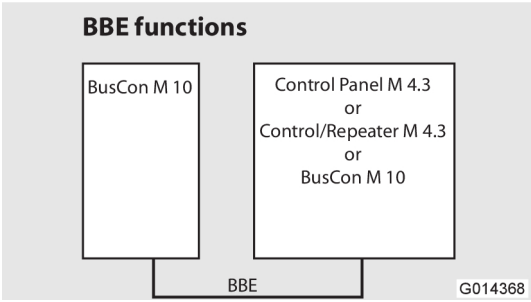
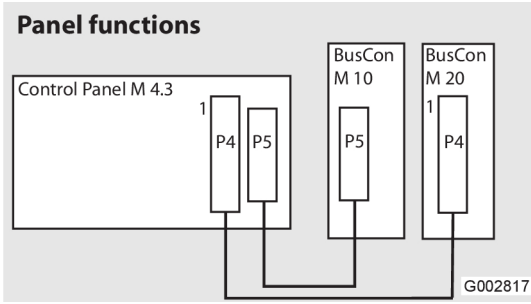


Table 1.

Indicator	Indicator color	Status
Tx (Com 1) (RS485)	Green	OK
	None	No communication
Rx (Com 1) (RS485)	Green	OK
	None	No communication
Tx (Com 2) (RS485)	Green	OK
	None	No communication
Rx (Com 2) (RS485)	Green	OK
	None	No communication

Connections

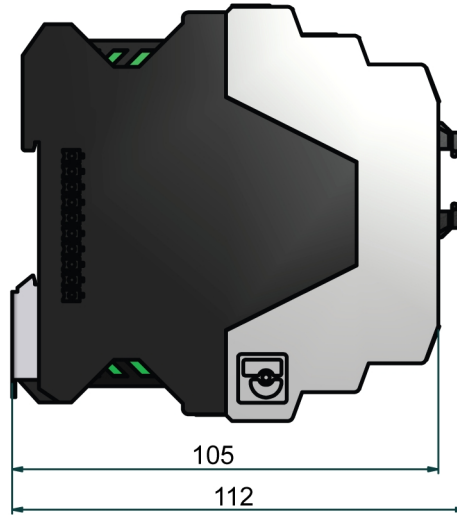
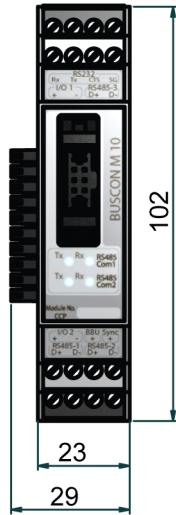


BUSCON M 10 ADDRESS			
PANEL FUNCTIONS		BBE FUNCTIONS	
3	1	2	
ISOLATED SERIAL INTERFACE CHANNEL	PROGRAMMABLE OUTPUT	I/O 70	I/O 70
		PROGRAMMABLE OUTPUT	PROGRAMMABLE OUTPUT
RS232/485	D-	24V	BBU
		70mA	*
Rx	D+	+	34
Tx	CTS	+	33
	SG	+	32
	D-	+	31
	D+	+	22
	CTS	+	21
	Tx	+	24
	Rx	+	23
		+	14
		+	13
		+	12
		+	11

G002265

* Do not connect to this terminal.

Module Dimensions (mm)



G003227

Mounting

Mount the module on a horizontal 35 mm DIN rail.