



G002288

Optical Smoke Detector

CN-P

Part no. 023111

System: CS3000, CS4000, NSAC-1, TERRA FIRE,
TERRA ONE

General Description

CN-P is an analogue addressable smoke detector with an optical chamber.

CN-P is designed to give early warning for the presence of smoke in the supervised area. At the same time the detector offers a high protection against unwanted alarms.

CN-P is equipped with OMNIVIEW 360° LED indicator giving a clear, full 360° visibility of the red alarm indication.


The detector can be placed in harsh environments if it is mounted on a splash proof base. See separate document "Base matrix Salwico units" for information about suitable base plate.

The technical detector address is set with a special programming tool. Valid addresses are 1-254.

CN-P has a fine pitch net which improves the response to smoke and also reduces the amount of dust etc entering the detector.

CN-P is equipped with an output for remote indication.

Data

Function	Optical light scattering
Nominal voltage	24 V DC
Operating voltage	20–38 V DC
Operating current	0.2 mA
Alarm current	5 mA
Current for remote indication	Max 2 mA
Ingress protection	Depends on base
Cable terminals	Depends on base
Temperature range	-10 °C to +55 °C
Ambient humidity	0 to 95% RH non-condensing
Material	PC/ABS
Colour	White
Weight (w/o base)	120 g ± 5%
Programming tool	Part no. 22100
Certified according to	 0832-CPR-F2433 DoP No: F0524 EN54-7: 2000 + A1: 2002 + A2: 2006

The expected life time of the product is affected by the environment it is mounted in.

The IP class stated is applicable for the connection base and cable glands. The smoke detector head must be open allowing smoke to enter.



NOTE!

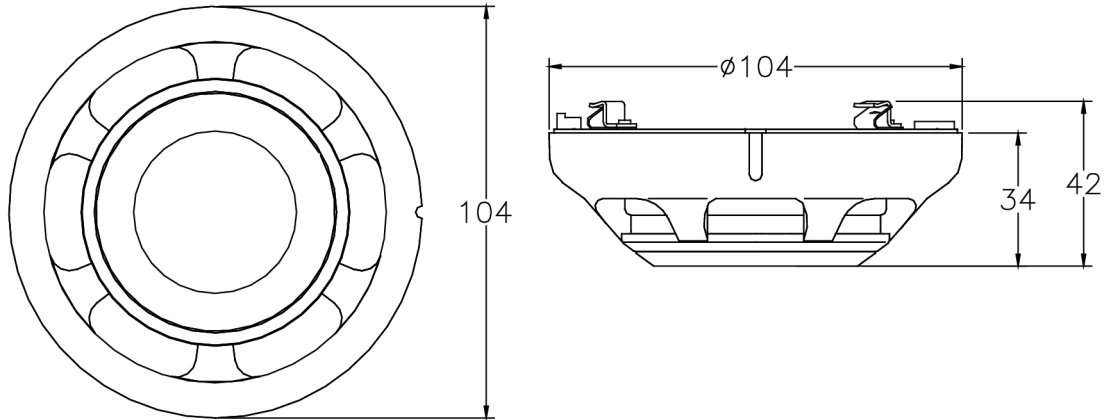
Do not remove the dust cover from the detector until all polluting (dusty) activities are finished and the area has been cleaned.

Connection

**Hint!**

For connection, please refer to the data sheet for the selected base plate.

Dimensions (mm)



G002794