



G002816

# Combined Optical Smoke and Heat Detector

## **Salwico EV-PH**

Part no. 040030

System: CS3000, CS4000, NSAC-1, Salwico Cargo, Salwico Cruise, Salwico LNG, Salwico Offshore, Salwico Ro/Pax, Salwico Workboat, Salwico Yacht, Salwico Navy, OEM Extinguisher

### General Description

Salwico EV-PH is an analogue addressable combined optical smoke and heat detector.

Salwico EV-PH is designed to give early warning for the presence of heat and smoke in the supervised area. Both heat and smoke alarm can be generated individually. At the same time Salwico EV-PH offers a high protection against unwanted alarms.

Salwico EV-PH is equipped with OMNIVIEW 360° LED indicator giving a clear, full 360° visibility of the red alarm indication.


The detector can be placed in harsh environments if it is mounted on a splash proof base. See separate document "Base matrix Salwico units" for information about suitable base plate.

The technical detector address is set with a special programming tool. Valid addresses are 1-254.

Salwico EV-PH has a fine pitch net which improves the response to smoke and also reduces the amount of dust etc entering the detector.

Salwico EV-PH is equipped with an output for remote indication.

### Data

Function	Optical light scattering + thermistor 54 °C
Nominal voltage	24 V DC
Operating voltage	20–38 V DC
Operating current	0,2 mA
Alarm current	5 mA
Current for remote indication	Max 2 mA
Ingress protection	IP44 (if used together with IP-BASE, 5100774-00A and IP-ADAPT/IP-ADAPT SCI, 5100775-00A/5100776-00A)
Cable terminals	Depends on base
Temperature range	-25 °C to +70 °C
Ambient humidity	0 to 95% RH non-condensing
Material	PC/ABS
Colour	White
Weight (w/o base)	120 g ± 5%
Programming tool	Part no. 5200123-00A
Certified according to	 2531/yyyy yyyy = year of production



#### NOTE!

Do not remove the dust cover from the detector until all polluting (dusty) activities are finished and the area has been cleaned.

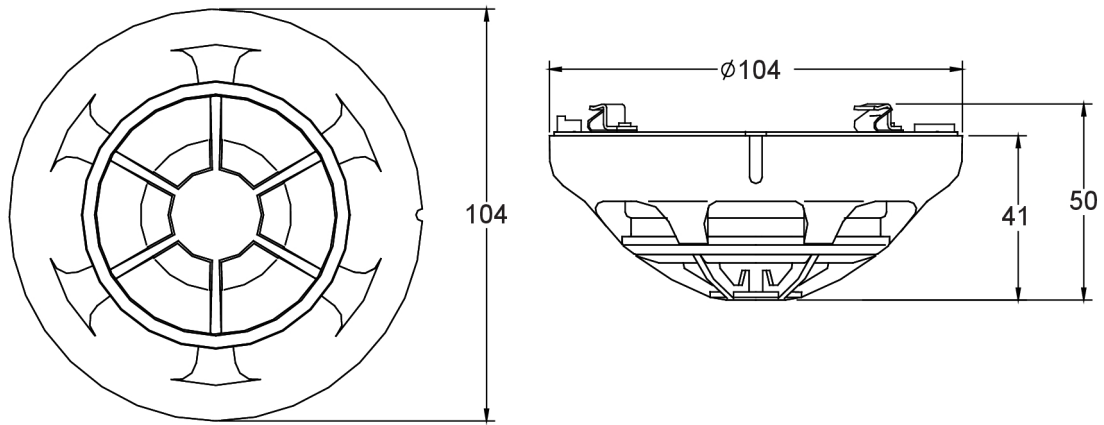
### Connection



#### Hint!

For connection, please refer to the data sheet for the selected base plate.

## Dimensions (mm)



G002803