



G016965

Gas Detector **GD10 Detector with Duct Kit**

Part no. 5831455-5831460, 5831477

System: CGD50/500, GS3000, GS4

General Description

This data sheet presents various duct kits available for the GD10 detectors, designed for ventilated double skin pipes and HVAC installations.

The GD10 Detector

The GD10 gas detector is a point detector for gas concentration monitoring in potentially hazardous environments. For detailed information about the different Consilium gas detectors please refer to the separate product data sheets.

M20 Ex E cable gland is included in the the detector duct kit.

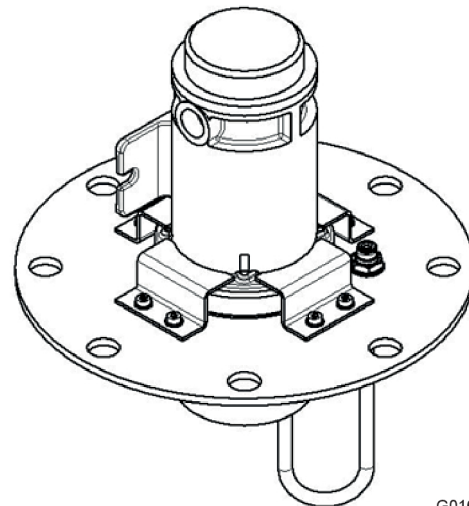
Table 1. This datasheet covers the following detectors:

| | |
|-----------|---------------------------------------|
| 004254-ME | GD10 WH CH ₄ |
| 004254-P | GD10 WH C ₃ H ₈ |

The Duct Kits

The duct kits include a flange and all necessary assembly parts (as illustrated in [Figure 1.](#)) The duct kits can be ordered separately or in combination with a detector; see the following sections for dimensions, available combinations, and the corresponding part no.

The duct kits are airtight up to a pressure of 0.5 bar.



G016964

Figure 1. Example of a GD10 detector attached to a duct kit

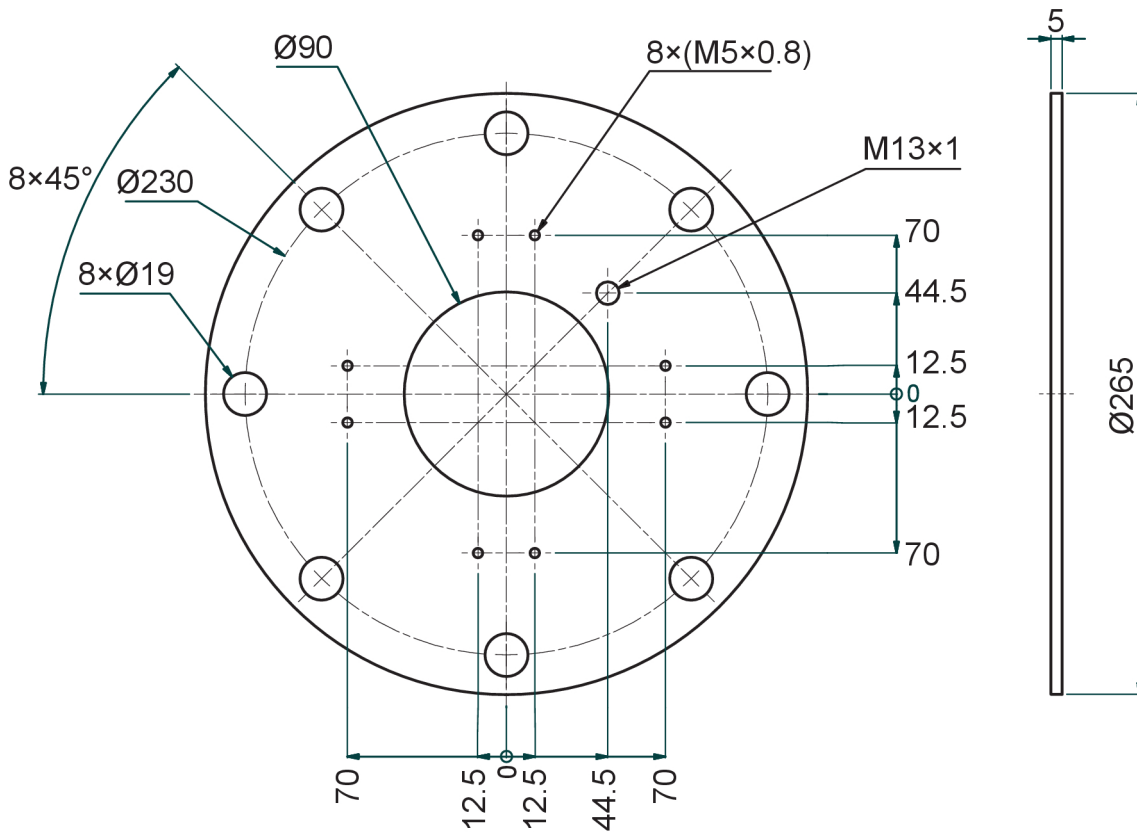
Ordering Information

Select part no. for a separate Duct Kit or for a combination of a GD10 Detector and a Duct Kit.

DUCT KIT GD10 JIS 150

| Duct Kit | | Detector + Duct Kit | |
|-------------|-----------------------|---------------------|----------------------------|
| Part No. | Name | Part No. | Name |
| 5831465-00A | DUCT KIT GD10 JIS 150 | 5831457-00A | DUCT KIT GD10 JIS 150 CH4 |
| | | 5831457-01A | DUCT KIT GD10 JIS 150 C3H8 |

Flange dimensions (mm):

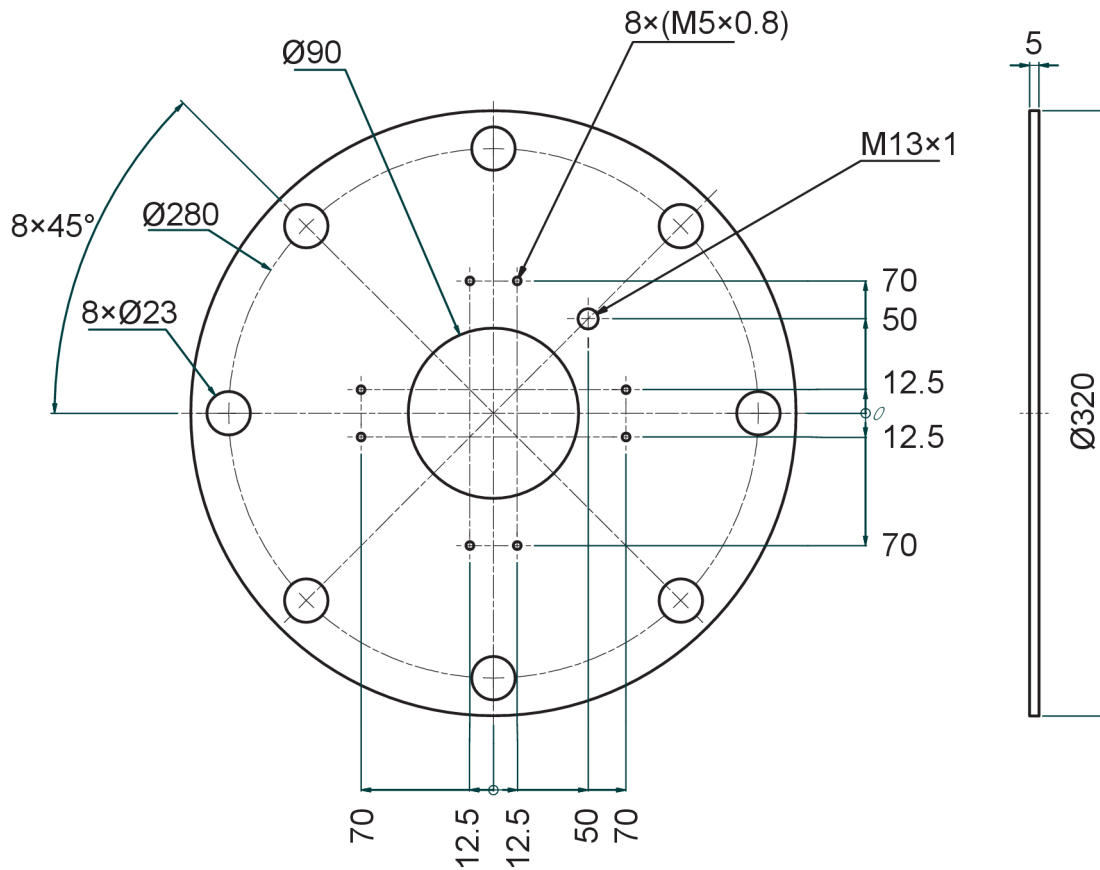


G016968

DUCT KIT GD10 JIS 200

| Duct Kit | | Detector + Duct Kit | |
|-------------|-----------------------|---------------------|----------------------------|
| Part No. | Name | Part No. | Name |
| 5831464-00A | DUCT KIT GD10 JIS 200 | 5831456-00A | DUCT KIT GD10 JIS 200 CH4 |
| | | 5831456-01A | DUCT KIT GD10 JIS 200 C3H8 |

Flange dimensions (mm):

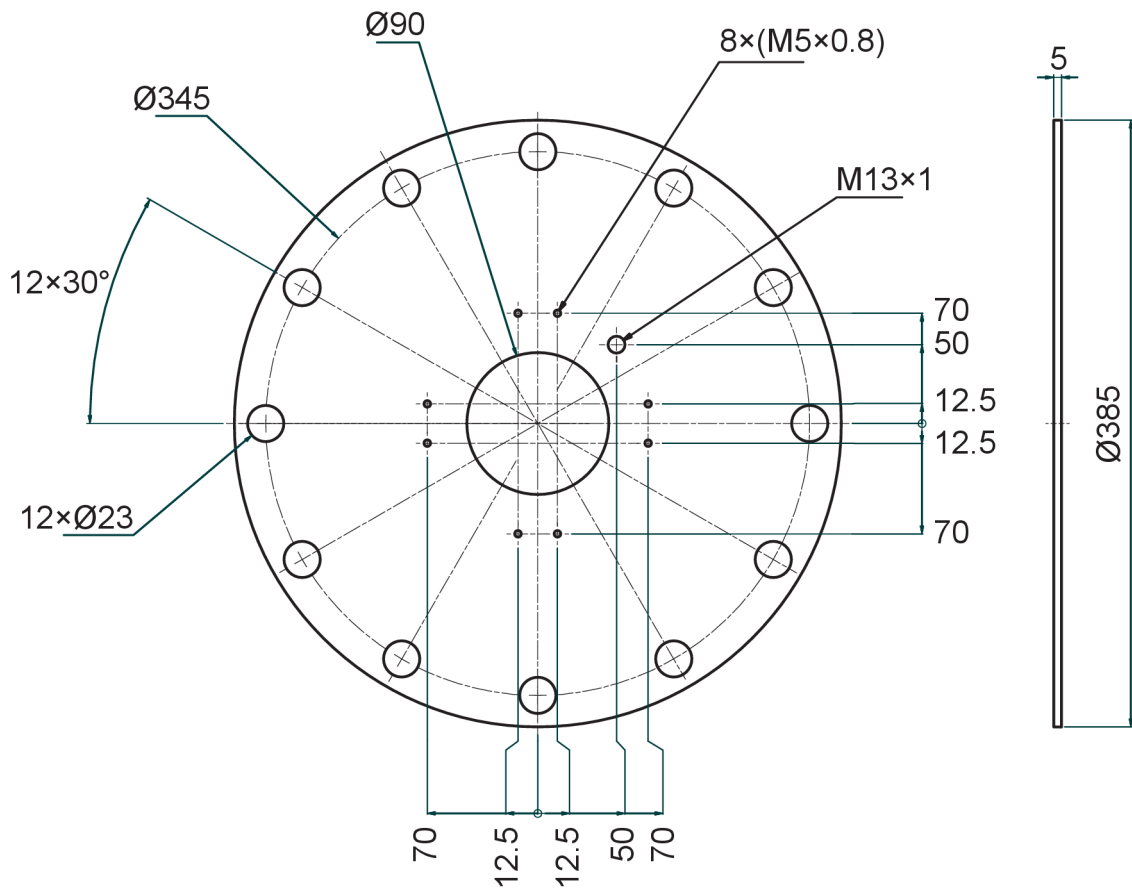


G016969

DUCT KIT GD10 JIS 250

| Duct Kit | | Detector + Duct Kit | |
|-------------|-----------------------|---------------------|----------------------------|
| Part No. | Name | Part No. | Name |
| 5831463-00A | DUCT KIT GD10 JIS 250 | 5831455-00A | DUCT KIT GD10 JIS 250 CH4 |
| | | 5831455-01A | DUCT KIT GD10 JIS 250 C3H8 |

Flange dimensions (mm):

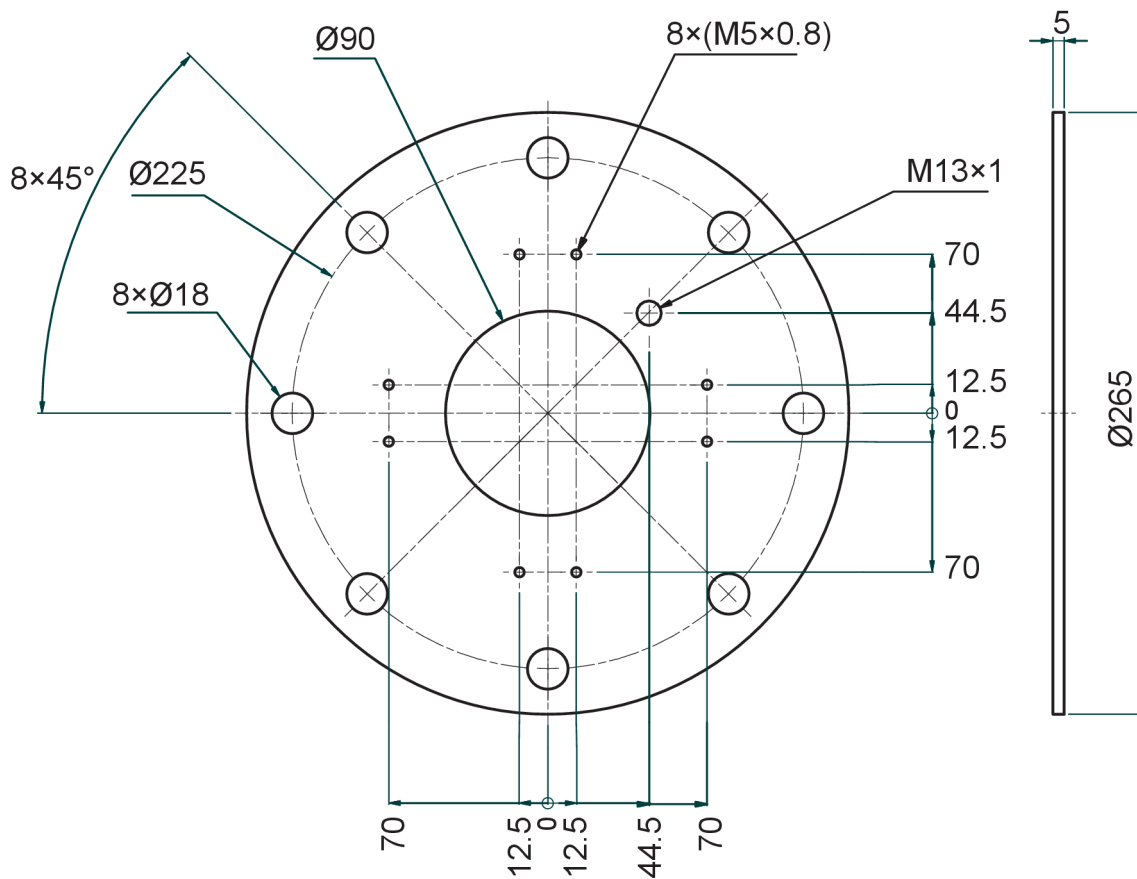


G016970

DUCT KIT GD10 DIN 150

| Duct Kit | | Detector + Duct Kit | |
|-------------|-----------------------|---------------------|----------------------------|
| Part No. | Name | Part No. | Name |
| 5831462-00A | DUCT KIT GD10 DIN 150 | 5831460-00A | DUCT KIT GD10 DIN 150 CH4 |
| | | 5831460-01A | DUCT KIT GD10 DIN 150 C3H8 |

Flange dimensions (mm):

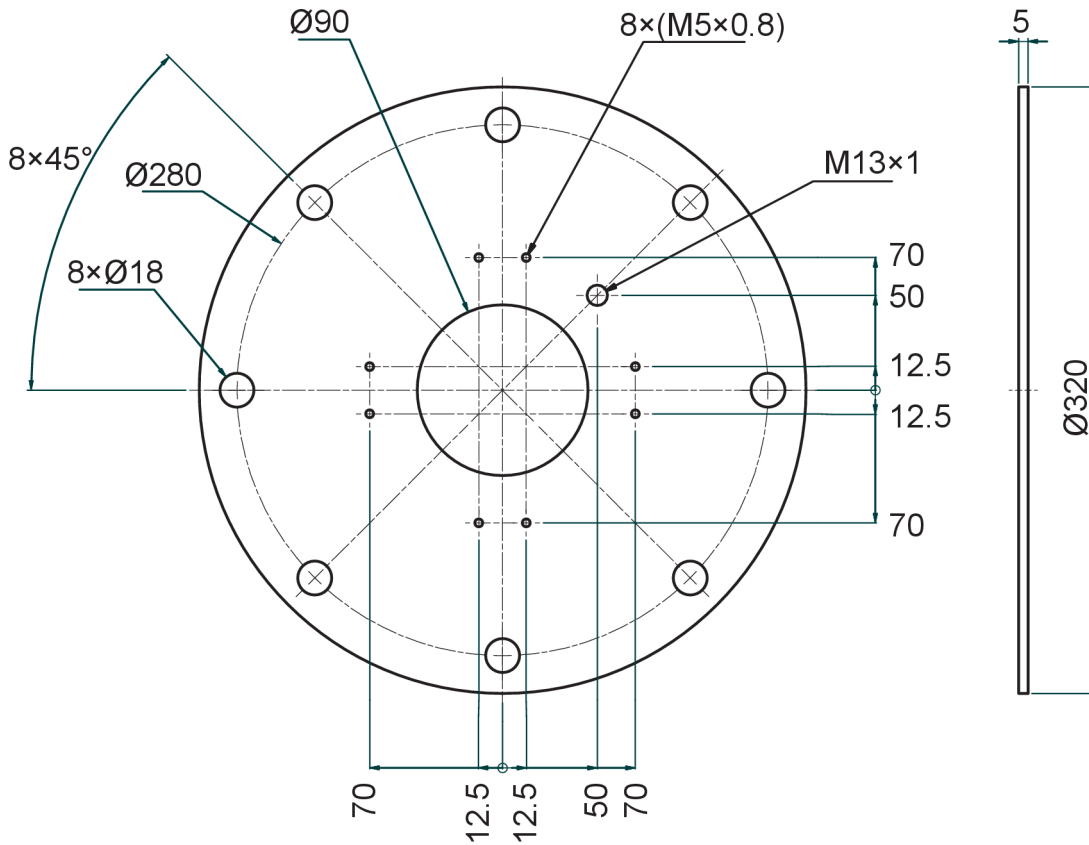


G016971

DUCT KIT GD10 DIN 200

| Duct Kit | | Detector + Duct Kit | |
|-------------|-----------------------|---------------------|----------------------------|
| Part No. | Name | Part No. | Name |
| 5831461-00A | DUCT KIT GD10 DIN 200 | 5831459-00A | DUCT KIT GD10 DIN 200 CH4 |
| | | 5831459-01A | DUCT KIT GD10 DIN 200 C3H8 |

Flange dimensions (mm):

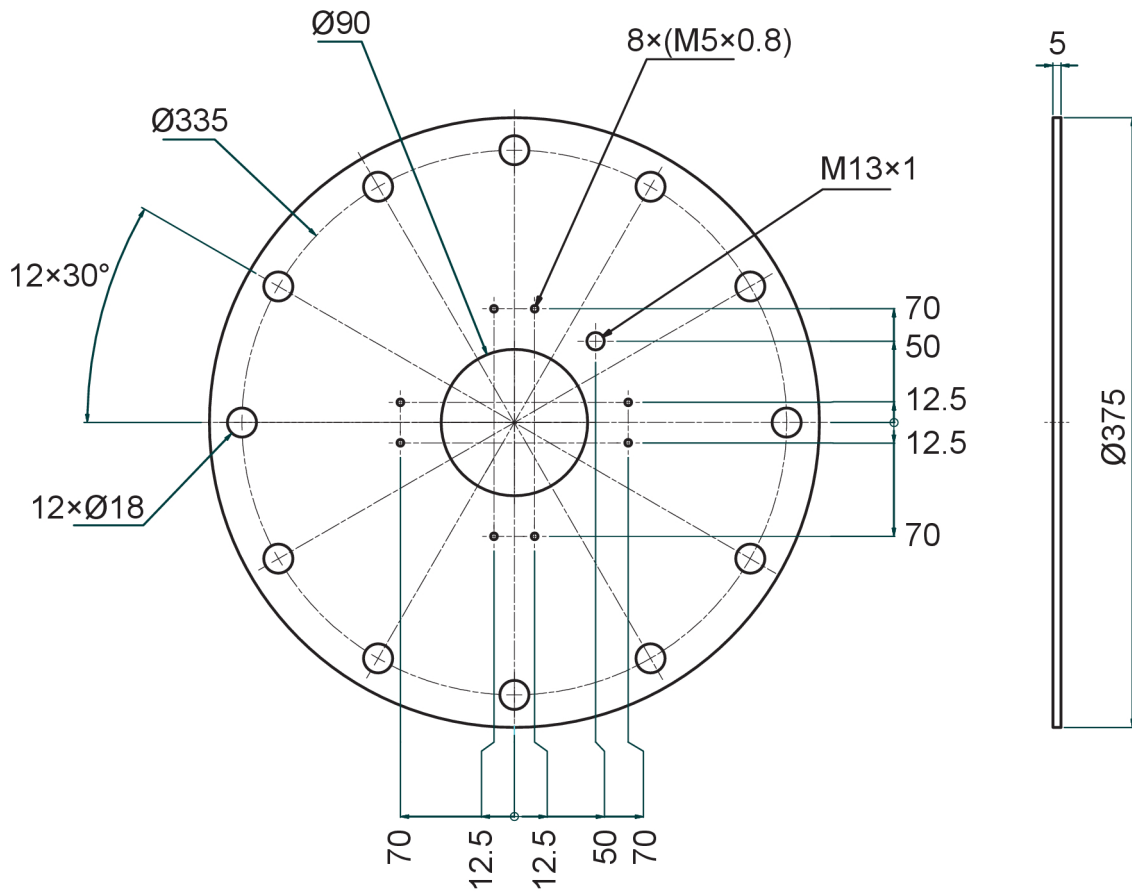


G016972

DUCT KIT GD10 DIN 250

| Duct Kit | | Detector + Duct Kit | |
|-------------|-----------------------|---------------------|----------------------------|
| Part No. | Name | Part No. | Name |
| 5831466-00A | DUCT KIT GD10 DIN 250 | 5831458-00A | DUCT KIT GD10 DIN 250 CH4 |
| | | 5831458-01A | DUCT KIT GD10 DIN 250 C3H8 |

Flange dimensions (mm):

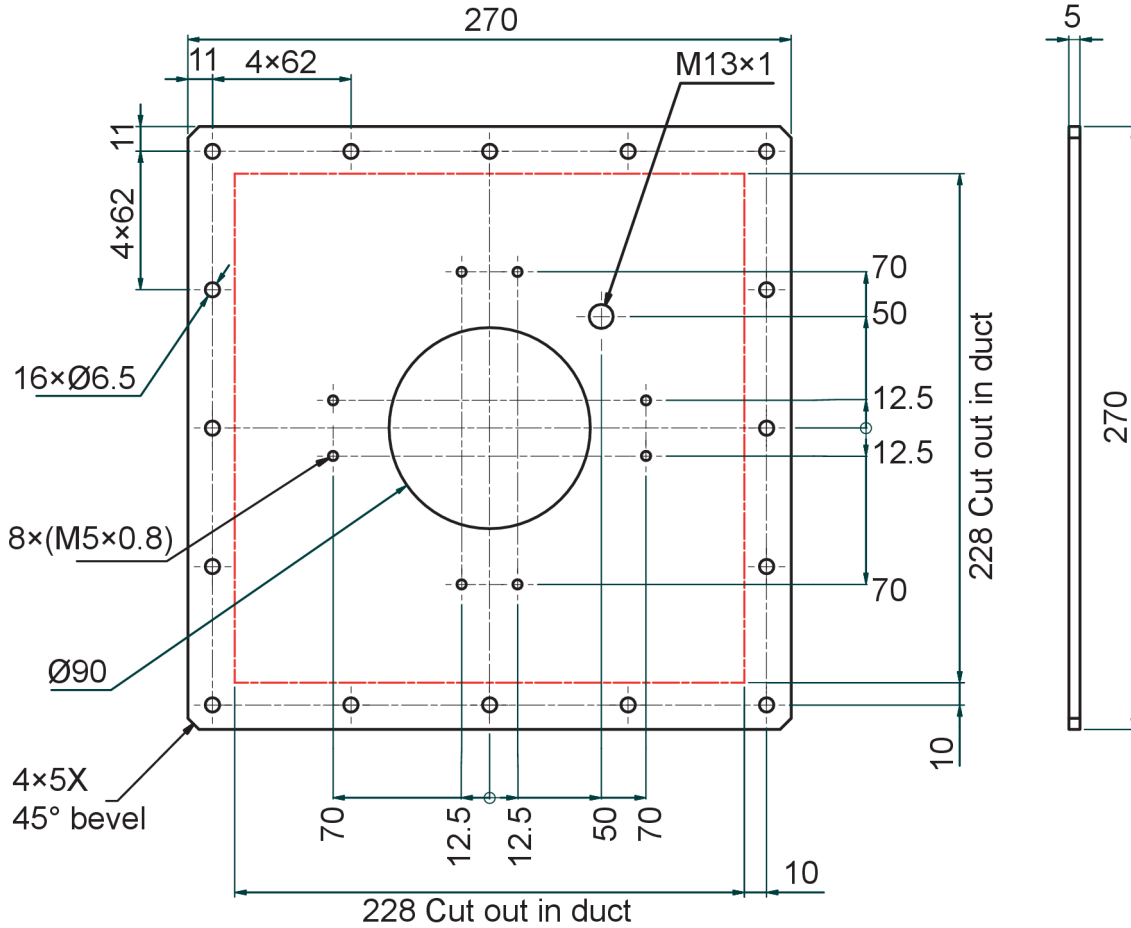


G016973

DUCT KIT GD10 Square

| Duct Kit | | Detector + Duct Kit | |
|-------------|----------------------|---------------------|---------------------------|
| Part No. | Name | Part No. | Name |
| 5831478-00A | DUCT KIT GD10 Square | 5831477-00A | DUCT KIT GD10 Square CH4 |
| | | 5831477-01A | DUCT KIT GD10 Square C3H8 |

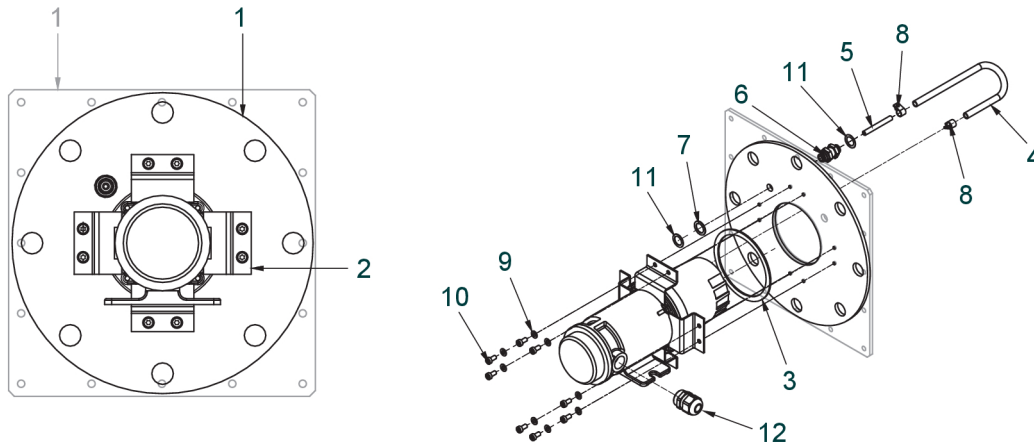
Flange dimensions (mm):



G016974

Assembly Drawing

Applicable for all GD10 detectors.



G016967

| No. | Description | No. | Description |
|-----|--------------------------------|-----|---|
| 1 | Flange, GD10 Duct Kit | 7 | Gasket to Bulkhead Union Connector M13×1 |
| 2 | Bracket, GD10 Duct Kit | 8 | Hose Clamp Mine-ABA 8 SS |
| 3 | Gasket, GD10 Duct Kit | 9 | Washer BRB 5.3×10×1 ISO7089 140HV A2K |
| 4 | Hose Viton 8/5 mm | 10 | Screw MCS 5×10 ISO14580 8.8 A2K |
| 5 | Hose Teflon 6/4 mm PTFE tubing | 11 | Shim Washer 13×19×0.5 DIN 988 A2 |
| 6 | Bulkhead Union Connector M13×1 | 12 | Cable Gland Ex E, M20×1.5 Poly Supported cable OD max. Ø13 mm |

Assembly Instruction

Loctite 243 shall be used for the following items:

- (No. 6) Bulkhead Union Connector M13×1
- (No. 10) Screw MCS 5×10 ISO14580 8.8 A2K