



G009803

# Short Circuit Isolator

## **NMI-SCI**

Part no. 5200315-00A

System: TERRA FIRE, TERRA ONE

### General Description

NMI SCI is a short circuit isolator for mounting on 35 mm DIN-rail. Developed to provide short circuit protection of loop cable and devices, specifically in cases when detectors detour from loop path.

The unit is designed for use in dry and clean spaces. NMI SCI can only be used on addressable loops.

Short Circuit Isolator function is fully transparent and does not require any settings.

#### Features and benefits

- Small size
- DIN-Rail mounting (acc. to EN50022)
- Easy termination access
- Quick and safe Short Circuit Isolation

### Data

Operating voltage	22 VDC to 38 VDC
Quiescent current	60 $\mu$ A
Current when short circuited	13 mA
Ingress protection	Dependant on enclosure
Operating temperature	-40°C to +70°C
Relative Humidity	RH 95%
Material	PC/ABS
Weight	60 g

Minimum sw open voltage ( $V_{so \text{ min}}$ )	9 VDC
Maximum sw open voltage ( $V_{so \text{ max}}$ )	11 VDC
Minimum sw close voltage ( $V_{sc \text{ min}}$ )	10 VDC
Maximum sw close voltage ( $V_{sc \text{ max}}$ )	12 VDC
Maximum line current ( $I_c \text{ max}$ )	800 mA
Maximum switching current ( $I_s \text{ max}$ )	1500 mA
Maximum leakage current ( $I_l \text{ max}$ )	13 mA
Maximum switch resistance ( $Z_c \text{ max}$ )	120 mOhm

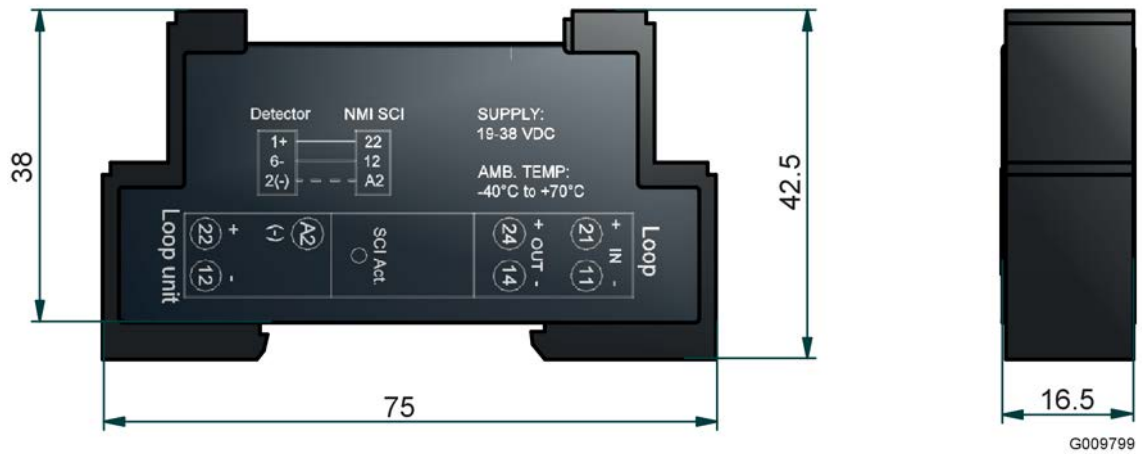
Approvals  13 0359-CPR-00225  
DOP no. CM-00225-NMI

### Indicator

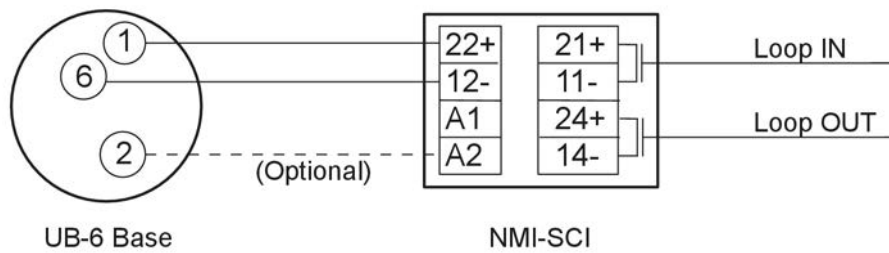


\* Short circuit indication LED

### Dimensions (mm)

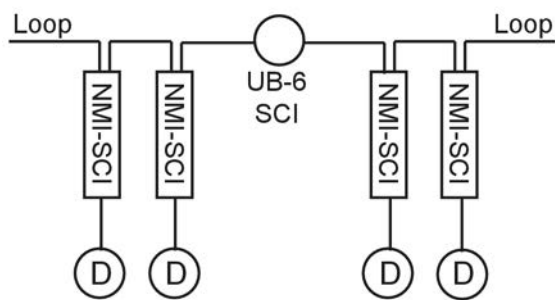


### Connection



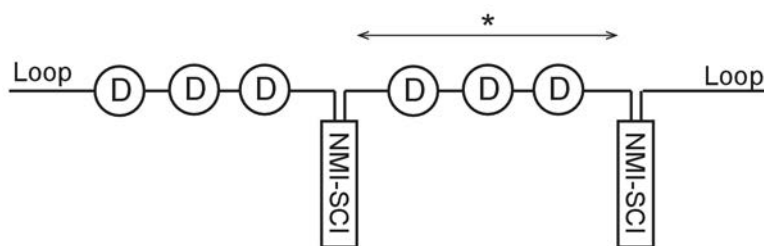
### Typical use

#### Example 1



D = Detector head

#### Example 2



\* = Max 32 detector heads between two NMI-SCI