

G009792

Detector Base

UB-6 SCI

Part no. 5200313-00A

System: TERRA FIRE, TERRA ONE

General Description

UB-6 SCI is a low profile detector base for analogue smoke, heat, and flame detectors.

The detector base is made for use in dry and clean spaces.

Cable entry is from the center or from the side of the base.

UB-6 SCI provides short circuit protection in the detector base.

The short circuit isolator function is fully transparent and does not require any settings.

Please see separate document "Base Matrix" for a list of compatible detectors.

Features and benefits

- Low profile
- Quick and safe Short Circuit Isolation

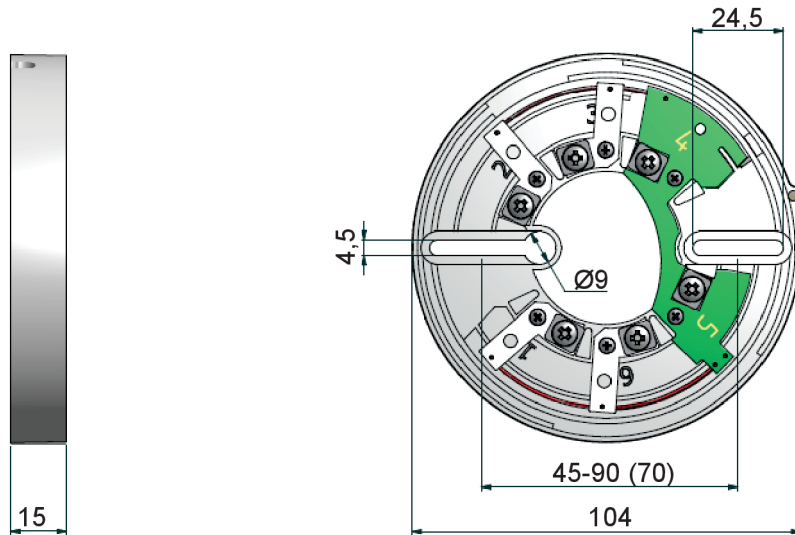
Data

Operating voltage	22 VDC to 38 VDC
Nominal current consumption	60 μ A
Current when short circuited	13 mA

Ingress protection	IP22
Operating temperature	-40°C to +70°C
Relative humidity	RH 95%
Cable terminals	Max 1.5 mm ² , preferred 1.0 mm ² or stripped cables.
Material	PC/ABS
Weight	70 g
Minimum sw open voltage (V _{so min})	9 VDC
Maximum sw open voltage (V _{so max})	11 VDC
Minimum sw close voltage (V _{sc min})	10 VDC
Maximum sw close voltage (V _{sc max})	12 VDC
Maximum line current (I _{c max})	800 mA
Maximum switching current (I _{s max})	1500 mA
Maximum leakage current (I _{l max})	13 mA
Maximum switch resistance (Z _{c max})	120 mOhm

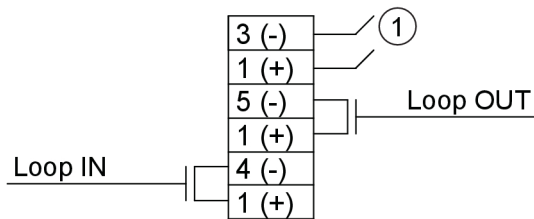
Approvals  13 0359-CPR-00225
DOP no. CM-00225-UB6

Dimensions (mm)



G009790

Connection



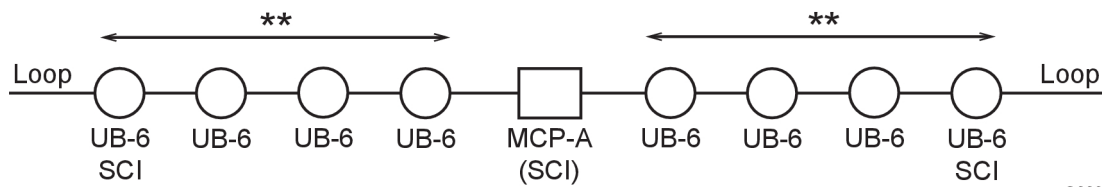
UB-6 SCI

G009791

1) Sounder or remote indicator. All types of detectors do not have the remote output. Please refer to the data sheet for the detector in question.

Typical use

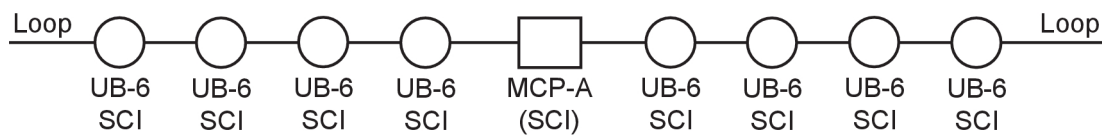
Example 1



G009835

** = Max 32 detector heads

Example 2



G009836