



Sprinkler Release IP67

Salwico MCP-SPR-C

(GB)

Part no. 5200016-01A

G001767

System: Salwico Conventional Sprinkler Centrals

General Description

The MCP-SPR-C is a push button for outdoor environment and designed for the Salwico conventional sprinkler centrals.

The selected material PC/ABS and the encapsulation, with ingress protection IP67, makes it very suitable for harsh environment.

Pressing the glass causing it to crack activates the sprinkler release. A protective plastic coating on the glass prevents operator injury.

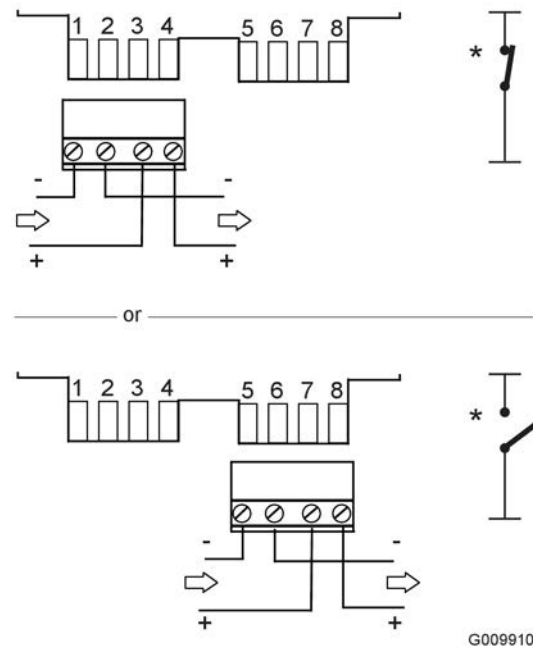
The push button can be tested with a special key included in the delivery.

Data

Nominal voltage	24 VDC
Working voltage	16–30 VDC
Supervising current	0 mA
Max breaking current	2 A
Ingress protection	IP67
Temperature range	-25°C to +70°C
Ambient humidity	0 to 95% RH
Material	PC/ABS
Colour	Blue
Weight	240 g
Cable dimension	Ø6–12 mm
Standard	EN54-11
Spare glasses (10pcs.)	Part no. 5200077-00A

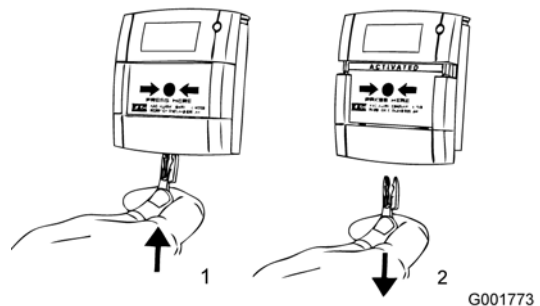
Connection

Connection details

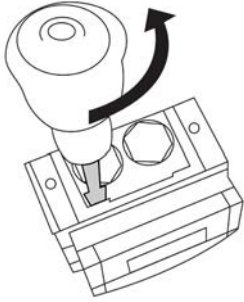


* Switch function

Test



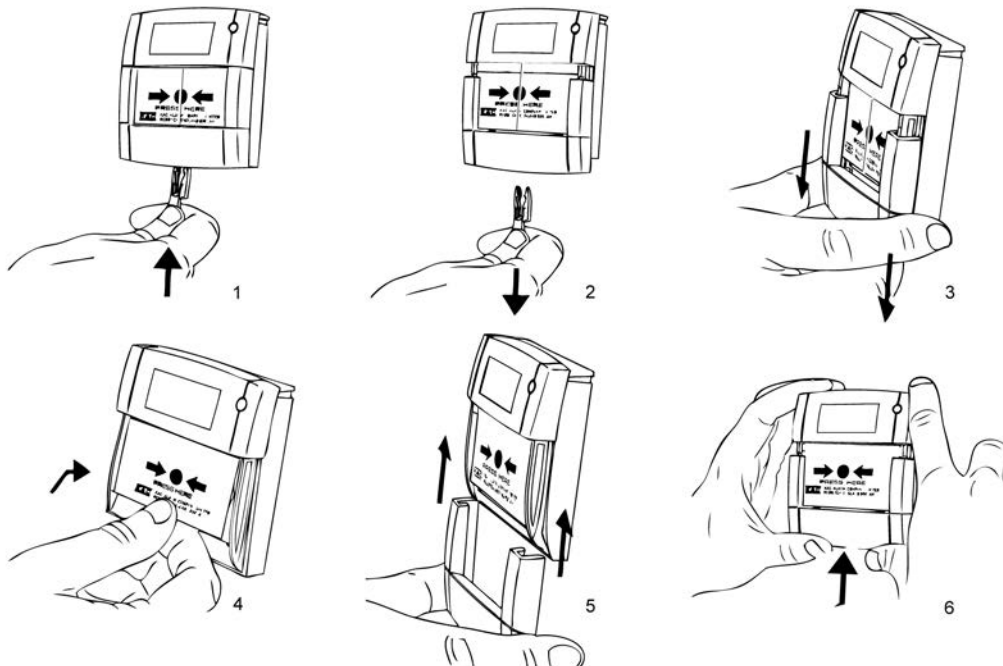
Cover removal



G003072

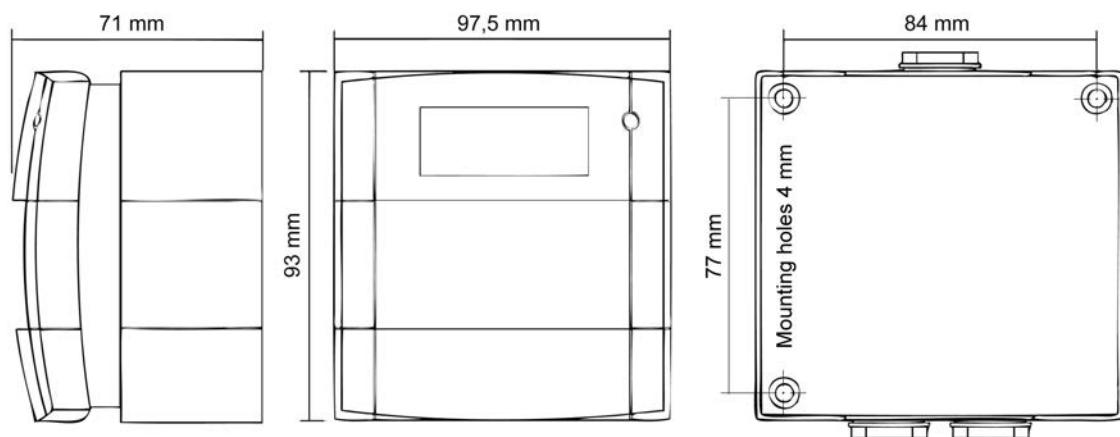
Remove the four cover fixing screws. Place the edge of a large flat bladed screwdriver into the slot between the cover and back box, as shown in picture, and gently twist until the latches are disengaged. Pull cover away from the back box.

Change Glass



G001779

Dimensions (mm)



G001782