



G001765

Manual Call Point IP24

MCP-C (GB)

Part no. 5200010-01A

System: All Salwico Fire Alarm Systems

General Description


The MCP-C is a manual call point for indoor environment and is designed for conventional fire alarm systems.

Pressing the glass causing it to crack activates the fire alarm. A protective plastic coating on the glass prevents operator injury.

Resettable elements can be ordered separately.

The call point can be tested with a special key included in the delivery.

Data

Nominal voltage	24 VDC
Working voltage	16-30 VDC
Supervising current	0 mA
Alarm current	Depending on connection, standard 24 V approx. 70 mA
Ingress protection	IP24
Temperature range	-10 °C to +55 °C
Ambient humidity	0 to 95% RH
Material	PC/ABS
Colour	Red
Weight	160 g
Cable dimension	Ø6-12 mm
Certified according to	 2831-CPR-F1701

Accessories

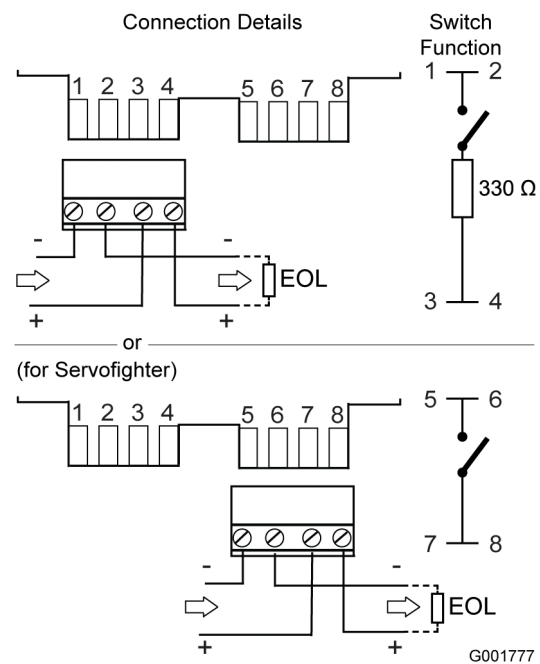


NOTE!

The optional protection lid has to be ordered separately.

Protection lid, transparent	Part no. 5200232-00A
Spare glass (10pcs.)	Part no. 5200077-00A
Resettable element	Part no. 5200144-00A

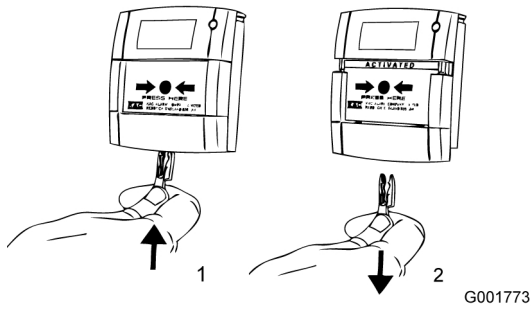
Connection



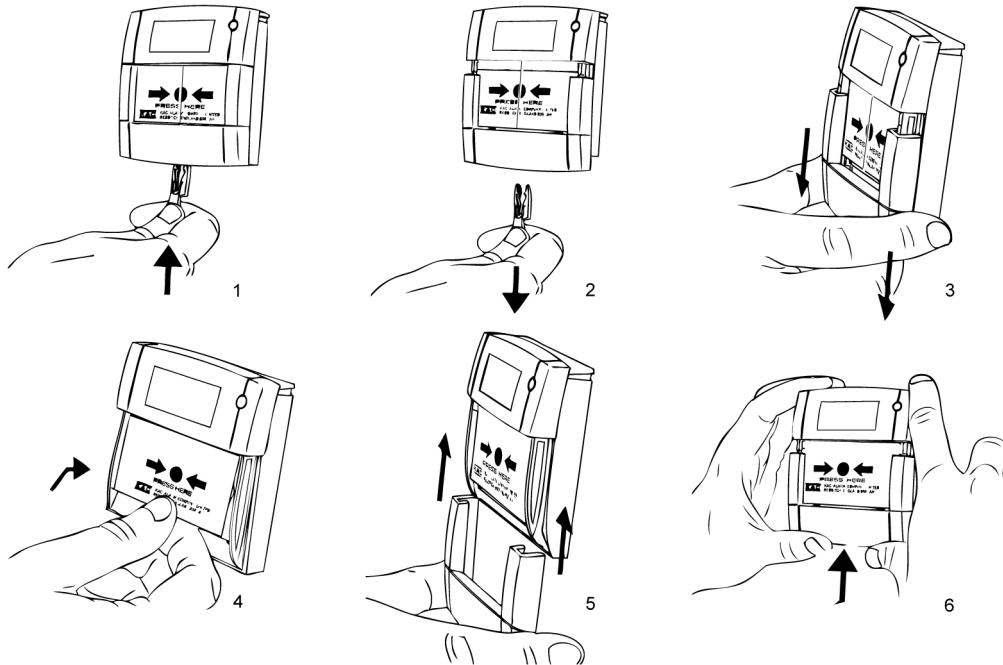
NOTE!

After the last section unit, add an **End of line** resistor between terminals 2 and 4 or 6 and 8 (for servofighter) according to system specification.

Test

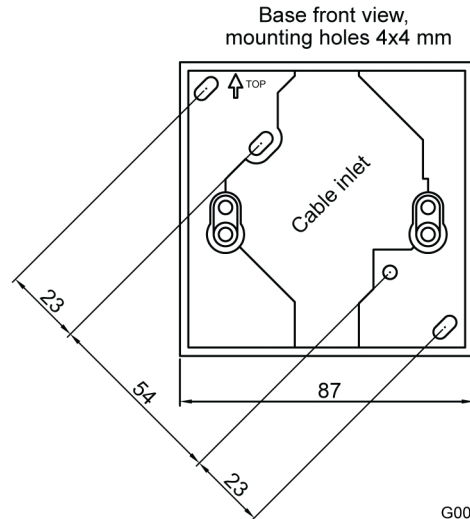
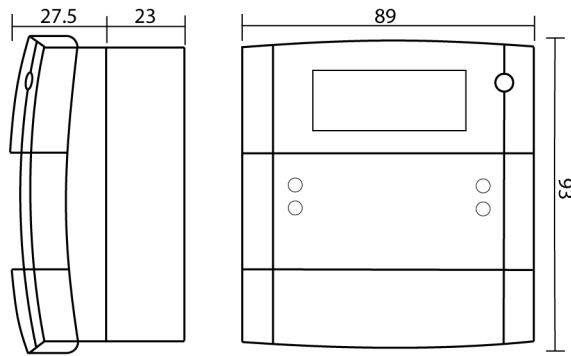


Replace glass



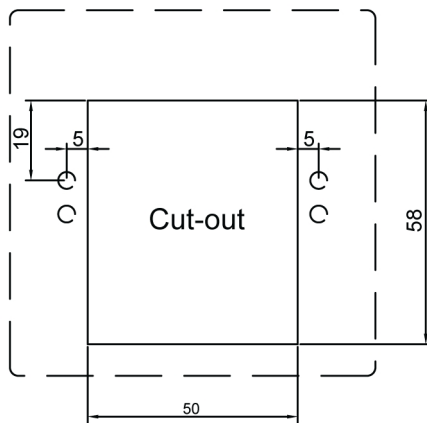
If a resettable element is used, perform steps 1+2+6 above. Should the element be broken, all steps must be performed.

Dimensions (mm)



G001771

Mounting Dimensions (mm)



G003141