



G021248

System: NSAC-1, TERRA FIRE, TERRA ONE

# Base Sounder

## **CN-SDR Base**

Part no. 5100927-00A

### General Description

The CN-SDR Base is a low profile sounder device, with fully integrated base suitable for ceiling mounting and use with all types of CN analogue addressable detectors. The device has 12 tone options (3 approved), which are easily selectable via DIP switch settings.

- EEPROM Addressed (Addressed by 22100 CN-programmer)
- 12 Tones DIP Switch Selected (3 approved tones)
- Replaces CN-ABS Sounder

### Accessories

5100471-00A                      UB Spacer/EV-SB Spacer

### Data

Sounder device	Piezo
Sounder output	73 to 88 dB (A) at 90°/1 m
Volume control	Up to -15 dB adjustment
Sounder tones	12 tones DIP switch select (3 Approved)
Operating voltage	24-38 VDC
System voltage	35 VDC
Quiescent current	0.2 mA
Sounder operating current	4 mA (Low) 6 mA (High)
Operating temperature	-10 °C to +55 °C
Storage temperature	-25 °C to +70 °C
Relative humidity	0 to 95% RH non-condensing
Ingress protection	IP21C
Addressing method	Soft addressing, non-volatile EEPROM
Material	ABS
Weight	200 g ± 5%
Classification	EN54-3:2001 + A1:2002 + A2:2006
EMC conformity	BSEN50130-4
Certified according to	<b>CE</b> 0905-CPR-210731 DoP: 210731

## Connection

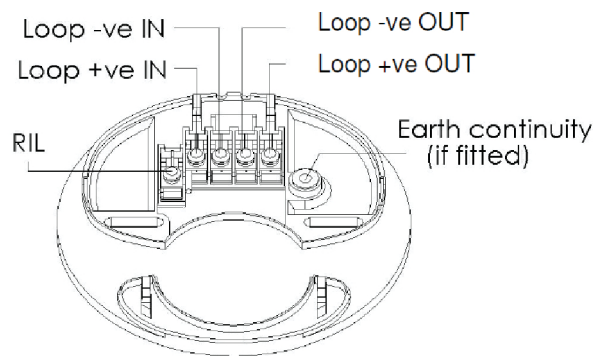


Figure 1. Connections

## Installation instructions

The CN-SDR Base is flat mounted and intended to use when the cable is coming from the inside of the wall or roof. If the cable is surface mounted, please use the optional Spacer (access for 2x 6mm cable from top or bottom).

1. Fix base plate to ceiling using x2 screws through the slots provided.



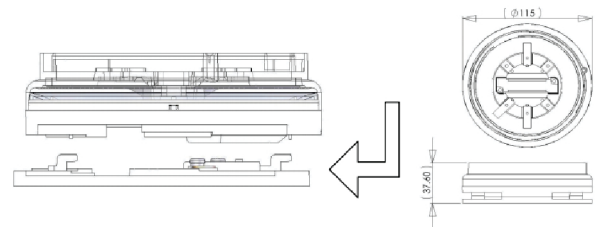
### NOTE!

Base sounder should not be wall mounted.

2. Connect loop wires to each terminal. (Ensure that excess wire is pushed back through the centre aperture as this may restrict assembly)

3. The loop address is set by the 22100 CN-Programmer: Program device address using the 22101 CN-Programming Adapter or flying leads **before** attaching to base plate.
4. Locate and clip on CN-SDR Base product. (Push down in off-set position and slide across until it clicks into place).

G021249



G021251

Figure 2. Snap on to the base plate.

To release, push release tool into holes in rim of sounder unit and slide the product in the reverse direction.

5. Select tone and volume options (DIL switch and Pot. Adjust).

## DIL switch settings



### NOTE!

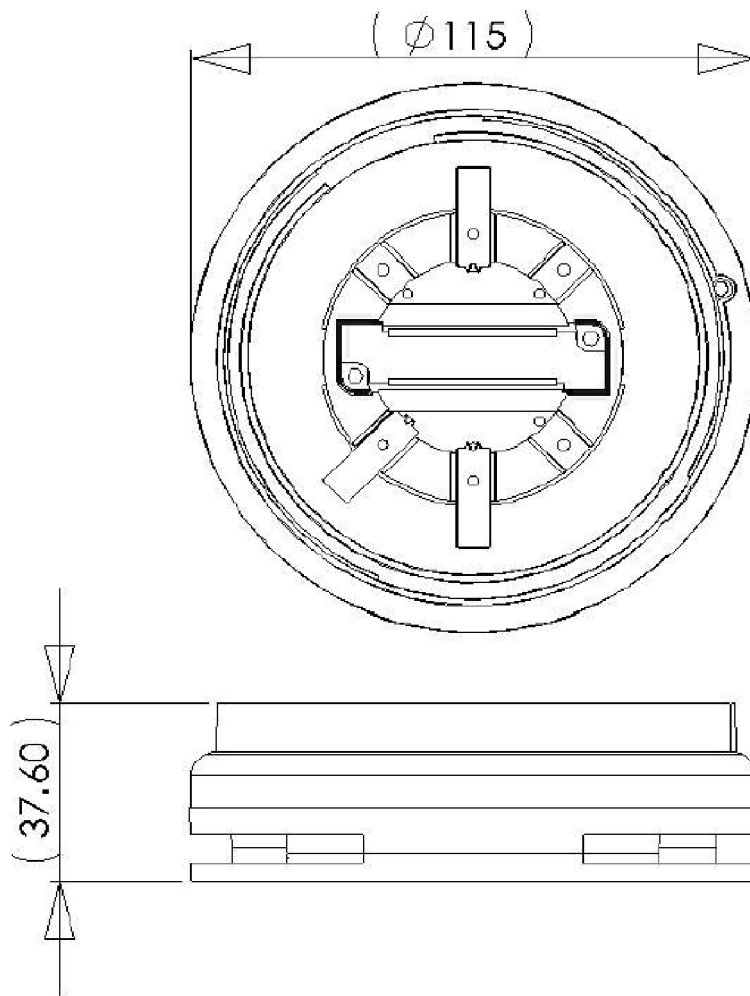
We recommend tone 1, as it follows the other CN- alarm devices on the loop.\*

SW 1, 2, 3 and 4 are not used

Only maximum volume setting is approved.

Tone	SW5	SW6	SW7	SW8	Description	Second tone
1* Approved	OFF	OFF	OFF	OFF	660Hz and 938Hz alternating at 0.5 sec on each freq.	Pulsed 938 1s on, 1s off
2	ON	OFF	OFF	OFF	938Hz continuous	Pulsed 938 1s on, 1s off
3	OFF	ON	OFF	OFF	938Hz pulsed 1s on 1s off	938Hz continuous
4 Approved	ON	ON	OFF	OFF	Sweep tone 800Hz to 1000Hz at 1s	Pulsed 938 1s on, 1s off
5 Approved	OFF	OFF	ON	OFF	DIN tone 1200Hz to 500Hz at 1s	Pulsed 938 1s on, 1s off
6	ON	OFF	ON	OFF	Dutch tone 500 Hz to 1200 Hz at 3.5s then 0.25 gap	Pulsed 938 1s on, 1s off
7	OFF	ON	ON	OFF	660 Hz and 938Hz alternating Low vol. 55dB(A)	Pulsed 938 1s/1s Lo vol.
8	ON	ON	ON	OFF	750Hz / 1000Hz alternating 0.5s each freq.	Pulsed 938 1s on, 1s off
9	OFF	OFF	OFF	ON	440Hz (100ms) / 554Hz (400ms) alternating French tone	Pulsed 938 1s on, 1s off
10	ON	OFF	OFF	ON	2400Hz to 2900Hz sweep over 1s	Pulsed 938 1s on, 1s off
11	OFF	OFF	OFF	ON	910Hz and 685Hz alternating at 0.25s on each freq.	Pulsed 938 1s on, 1s off
12	ON	ON	OFF	ON	925Hz and 628Hz alternating at 0.25s on each freq.	Pulsed 938 1s on, 1s off
13	OFF	OFF	ON	ON	TBA	
14	ON	OFF	ON	ON	TBA	
15	OFF	ON	ON	ON	TBA	
16	ON	ON	ON	ON	TBA	

## Dimensions (mm)



G021250