



G016644

Addressable Base for IR Flame Detector **AC-IR-3Fq Rugged Addr Base**

Part no. 5100874-00A

System: CS3000*, CS3004*, CS4000*, NSAC-1* **, Salwico Cargo, Salwico Cruise, Salwico LNG, Salwico Ro/Pax, Salwico Workboat, Salwico Yacht, Salwico Navy, OEM Extinguish
**)Requires LC1 R6 SW v.2.61.34 or later

General description

The AC-IR-3Fq Rugged Addressable Base is suitable for installation of AC-IR-3Fq flame detectors in a harsh environment. The base plate provides ingress protection IP66/IP67, when lock screws are used.


The base provides a termination possibility for detectors set in addressable mode. The address is set by an 8-way DIP switch.

The AC-IR-3Fq Rugged Addressable Base is developed to provide short circuit protection. The short circuit isolator function is fully transparent and does not require any setting.

Features

- IP66/IP67 ingress protection
- Low current draw
- Suitable for installation in harsh environment

Data

Working voltage range	22-38 V DC
Working current	Max 0.6 mA
Current when short circuited	12 mA
Alarm current	Max 1 mA (including detector)
Operating temperature range	-25 °C to +75 °C
Ambient humidity	0 to 95% RH
Material	Polycarbonate Flame Retardant Cl. UL94V0
Colour	White RAL9010
Weight	155 g ± 5%
Ingress protection	IP66/IP67
Certified according to	 2531/yy yy = year of production

Detector

5200236-00A Salwico AC-IR-3Fq

Switch Settings

SW1 - Address Switch

The address is set by an 8-way DIP-switch.

SW2 - Setting Switch

DIP No.	Default Setting	Explanation
1	OFF	IR-Detector
2	OFF	Not used
3	OFF	Not used

DIP No.	Default Setting	Explanation
4	OFF	Not used
5 ¹	OFF	SCI (Short Circuit Isolator) enabled

Mode	Sw.No.3	Sw.No.4
Addressable*	OFF	OFF

*Default factory setting

1. When used in older systems (*) DIP no. 5 shall be set to the ON position. Disabling the SCI function will avoid some operational disturbance. When used in the newer CCP based systems DIP no. 5 shall be set to the OFF position, enabling the SCI function.

Flame Detector DIP-switch settings

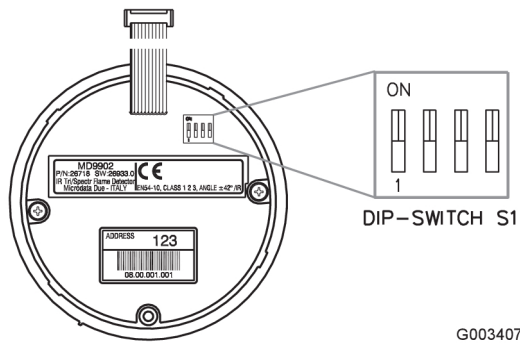
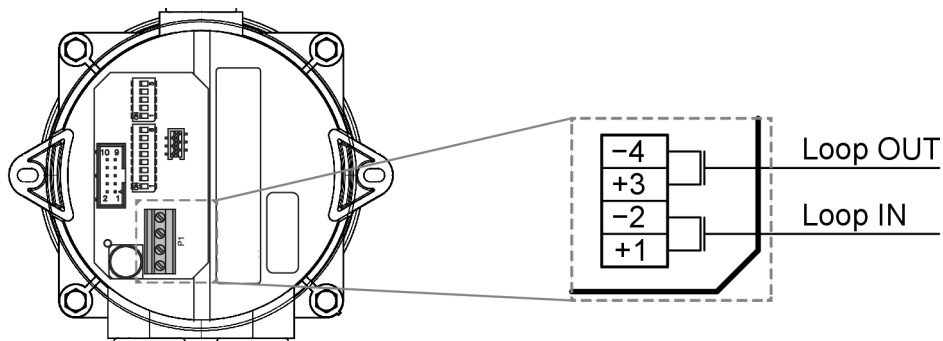


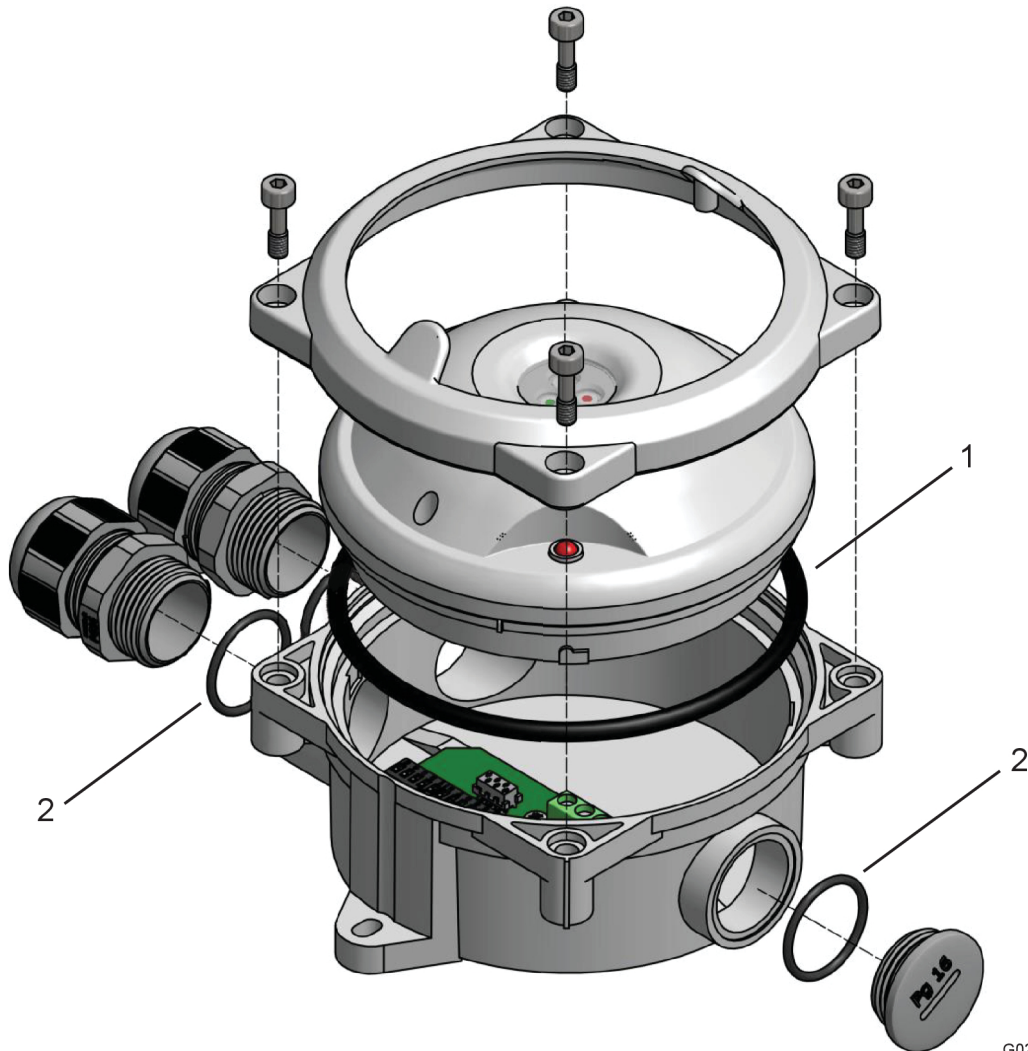
Figure 1. AC-IR-3Fq Flame detector setting S1-DIP-Switch

Connections



G016648

Assembling



CAUTION!

1. Remove the O-ring on the detector and replace it with the rubber O-ring supplied with the base. Please note that the color of this O-ring is now white and not black as the image above shows.
2. Seal the PG16 plugs and cable glands with the smaller, black rubber O-rings supplied with the base.

Mounting

Sealing is achieved by tightening the 4 screws crosswise until the securing ring reaches the base.

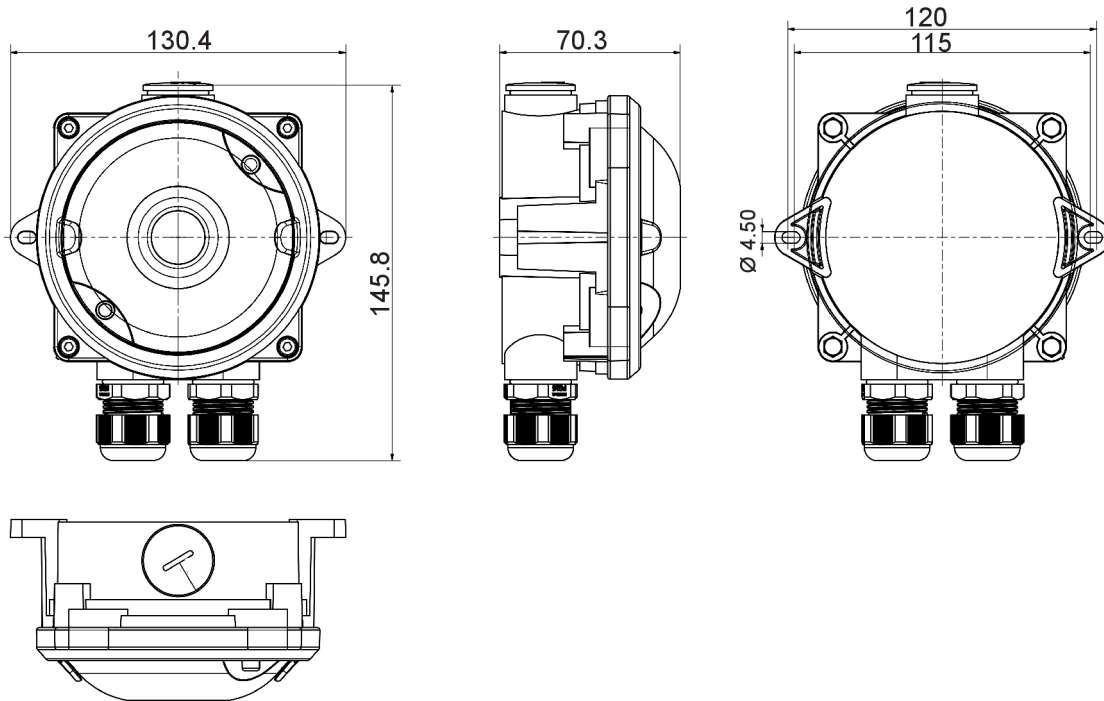


CAUTION!

The tightening torque must not exceed 1.5 Nm.

A higher tightening does not improve the seal and may cause the nuts in the base to rotate and break the support. It is therefore necessary to check that the clutch of the electric screwdriver is adjusted not to exceed this value.

Dimensions (mm)



G016646