

G016848

System: CFD5000 T

Detector Base

IP-BASE

Part no. 5100774-00A

General Description

IP-BASE is a mounting base for all IP-ADAPT detector adapters.

The IP-ADAPT adapters enable installation of smoke, heat, and flame detectors in harsh environments.

The adapters can be used in both addressable and conventional fire alarm systems.



NOTE!

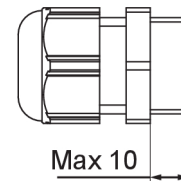
For more information about suitable adapters and detectors, see separate document "Base matrix".

Parts included in package:

- 2 Cable glands
- 1 End cap with O-ring
- 1 Earthing screw M5
- 1 Locking screw for IP-ADAPT (recommended to use)

Data

Cable diameter	Ø 6-13 mm
Ingress protection	IP66 and IP67 (when used with IP-ADAPT or IP-ADAPT SCI)
Fire class	UL94 V0
Temperature range	-40 °C to +70 °C
Material	PA66 + FR
Colour	White
Weight	125 g ±5%
Cable glands	M20 × 1.5 (up to 3 glands) Max thread length 10 mm



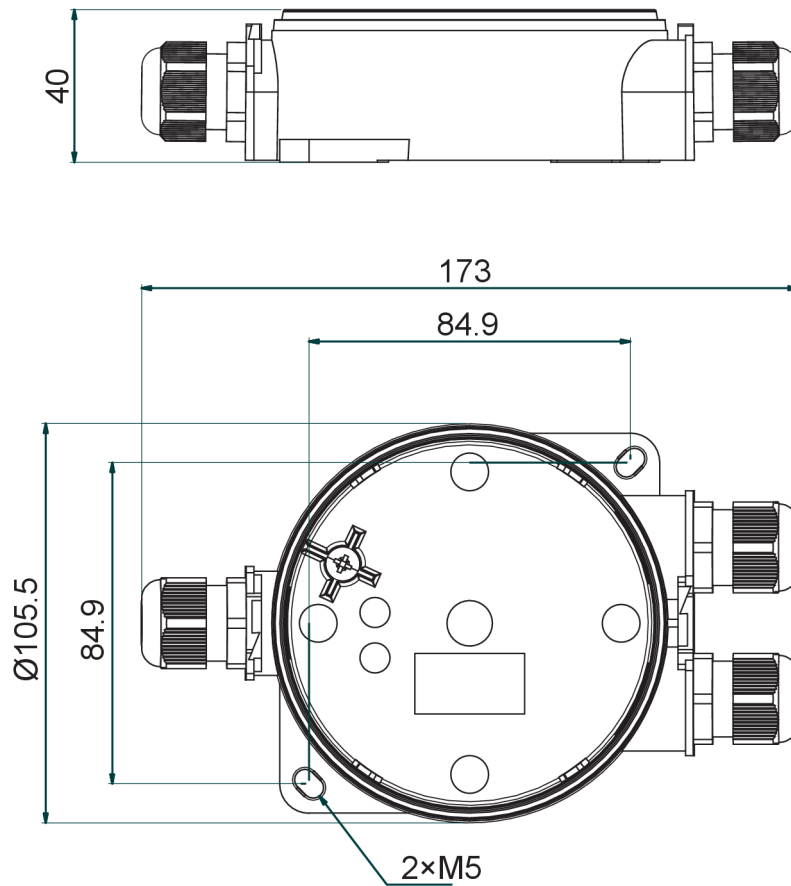
G017138

Approvals

EN 50155, EN 45545-2



Dimensions (mm)



G016854