

G016848

# Detector Base

## **IP-BASE**

Part no. 5100774-00A

System: All Consilium fire alarm systems

### General Description

IP-BASE is a mounting base for all IP-ADAPT detector adapters.

The IP-ADAPT adapters enable installation of smoke, heat, and flame detectors in harsh environments.

The adapters can be used in both addressable and conventional fire alarm systems.



#### NOTE!

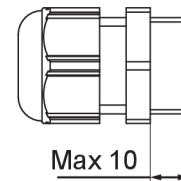
For more information about suitable adapters and detectors, see separate document "Base matrix".

#### Parts included in package:

- 2 Cable glands
- 1 End cap with O-ring
- 1 Earthing screw M5
- 1 Locking screw for IP-ADAPT (optional usage)

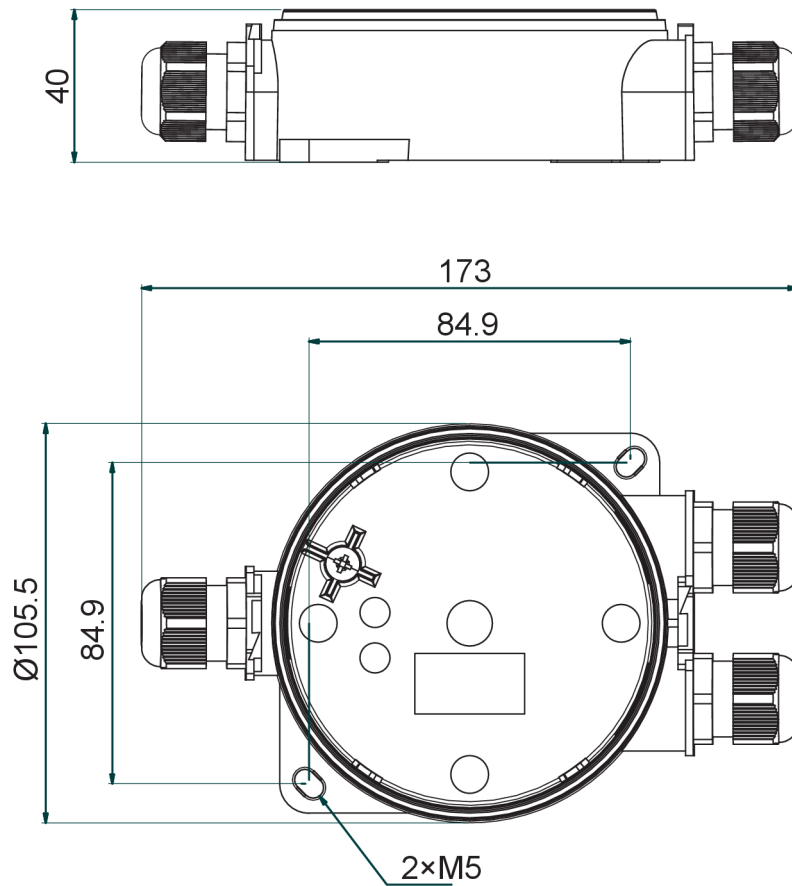
### Data

Cable diameter	Ø 6-13 mm
Ingress protection	IP66 and IP67 (when used with IP-ADAPT or IP-ADAPT SCI)
Fire class	UL94 V0
Temperature range	-40 °C to +70 °C
Material	PA66 + FR
Colour	White
Weight	125 g ±5%
Cable glands	M20 × 1.5 (up to 3 glands) Max thread length 10 mm



G017138

## Dimensions (mm)



G016854