



G003740

Heat Detector

Salwico EV-H-A1R

54°C IP67 SCI

Part no. 5100472-00A

System: Salwico Cargo, Salwico Cruise, Salwico LNG, Salwico Offshore, Salwico Ro/Pax, Salwico Workboat, Salwico Yacht, Salwico Navy, OEM Extinguish

General Description

Salwico EV-H is an analogue addressable heat detector molded together with base adapter SPB-ADAPT SCI to fulfill IP67 ingress protection class.

Salwico EV-H is designed to give early warning for the presence of heat in the supervised area, and is available in two temperature classes: A1R (fixed 54°C + rate of rise function according to EN54-5) and CS (fixed 84°C), see separate part no. for 84°C.


Salwico EV-H is equipped with OMNIVIEW 360° LED indicator giving a clear, full 360° visibility of the red alarm indication.

The technical detector address is set with a special programming tool. Valid addresses are 1-254.

Salwico EV-H is equipped with an output for remote indication.

SPB-ADAPT SCI is developed to provide Short Circuit Protection in the detector base. Short Circuit Isolator function is fully transparent and do not require any setting. Short Circuit Isolator protects the loop cable from short circuit by breaking negative side of loop cable.

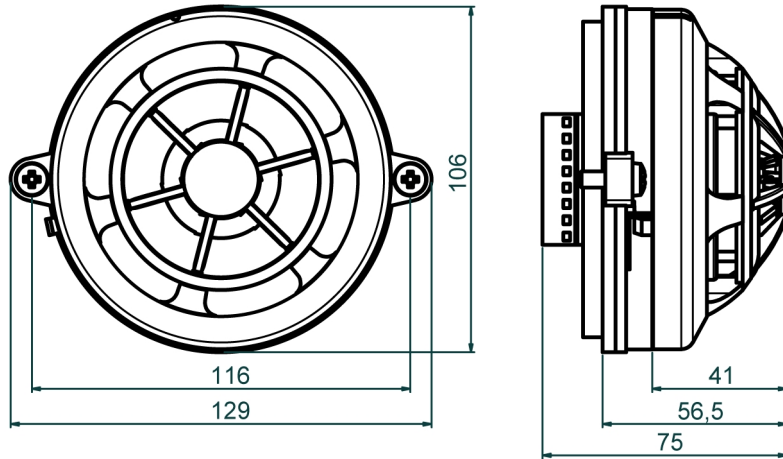
Data

Function	Heat, thermistor 54°C (also available in 84°C version)
Nominal voltage	24 VDC
Working voltage	20-38 VDC
Working current	0.26 mA
Alarm current	5 mA
Current consumption when short circuited	13 mA
Remote indication	Max 3 mA
Ingress protection	IP67
Cable terminals	2,5 mm ²
Temperature range	-25°C to +70°C
Air humidity	0-95% RH
Material	PC/ABS
Colour	White
Weight	410 g
Certified according to	 0832/yy for EV-H 0845/yy for SPB-ADAPT SCI yy = year of production

Related products:

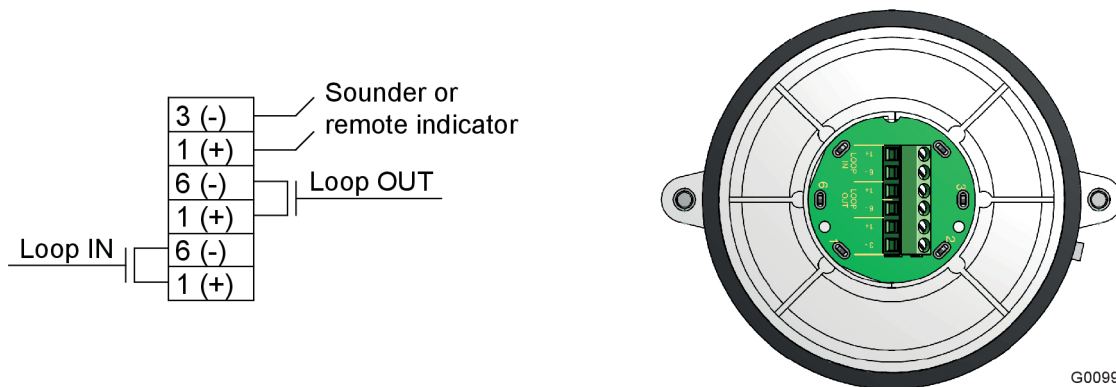
Detector base	046950 2IP55 or 046900 NS-2IP55
Programming tool	5200123-00A EV-AD2
Heat detector	5100470-00A EV-H/CS 84C IP67 SCI

Dimensions (mm)



G003720

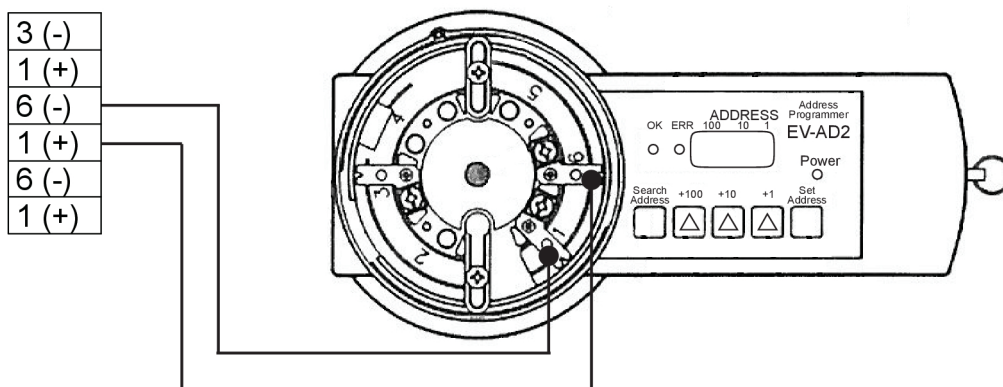
Connection



G009982

Addressing

How to set address on detector EV-H IP67



G009979

Prerequisites:

Use two cables with an alligator clip on one end and a stripped cable on the other end.

Use Programming tool EV-AD2, part no. 5200123-00A, as the addressing unit.

Instructions:

1. Connect cable no 1 between 6(-) and no 1 on EV-AD2, use the alligator clam.
2. Connect cable no 2 between 1(+) and no 6 on EV-AD2, use the alligator clam.
3. Continue by following the instructions for EV-AD2, found in data sheet no. 5200123-00A EV-AD2.