



G003740

Heat Detector

Salwico EV-H-CS

84°C IP67 SCI

Part no. 5100470-00B

System: Salwico Cargo, Salwico Cruise, Salwico LNG, Salwico Offshore, Salwico Ro/Pax, Salwico Workboat, Salwico Yacht, Salwico Navy, OEM Extinguish

General Description

Salwico EV-H is an analogue addressable heat detector molded together with base adapter SPB-ADAPT SCI to fulfill IP67 ingress protection class.

Salwico EV-H is designed to give early warning for the presence of heat in the supervised area, and is available in two temperature classes: CS (fixed 84°C) and A1R (fixed 54°C + rate of rise function according to EN54-5), see separate part no. for 54°C.


Salwico EV-H is equipped with OMNIVIEW 360° LED indicator giving a clear, full 360° visibility of the red alarm indication.

The technical detector address is set with a special programming tool. Valid addresses are 1-254.

Salwico EV-H is equipped with an output for remote indication.

SPB-ADAPT SCI is developed to provide Short Circuit Protection in the detector base. Short Circuit Isolator function is fully transparent and do not require any setting. Short Circuit Isolator protects the loop cable from short circuit by breaking negative side of loop cable.

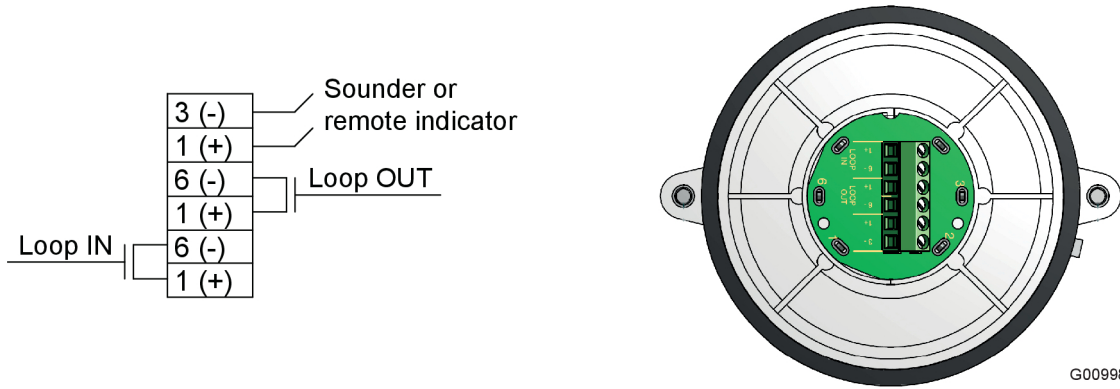
Data

Function	Thermistor 84 °C (also available in 54 °C version)
Operating voltage	20–38 V DC
Operating current	0.26 mA
Alarm current	5 mA
Current consumption when short circuited	13 mA
Current for remote indication	Max 2 mA
Ingress protection	IP67
Cable terminals	2.5 mm ²
Temperature range	-25 °C to +80 °C
Ambient humidity	0 to 95% RH non-condensing
Material	PC/ABS
Colour	White
Weight	410 g ± 5%
Certified according to	 0832/yyyy for EV-H 0845/yyyy for SPB-ADAPT SCI yyyy = year of production

Related products:

Detector base	046950 2IP55 or 046900 NS-2IP55
Programming tool	5200123-00A EV-AD2
Heat detector	5100472-00A EV-H/A1R 54C IP67 SCI

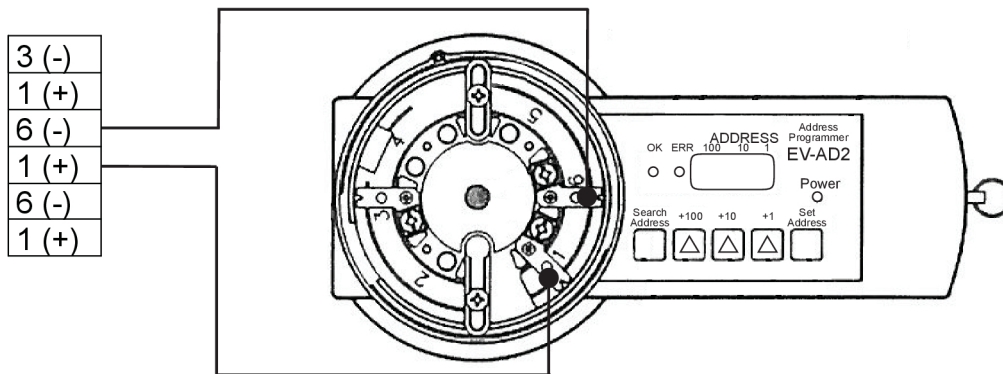
Connection



G009982

Addressing

How to set address on detector EV-H IP67



G009979

Prerequisites:

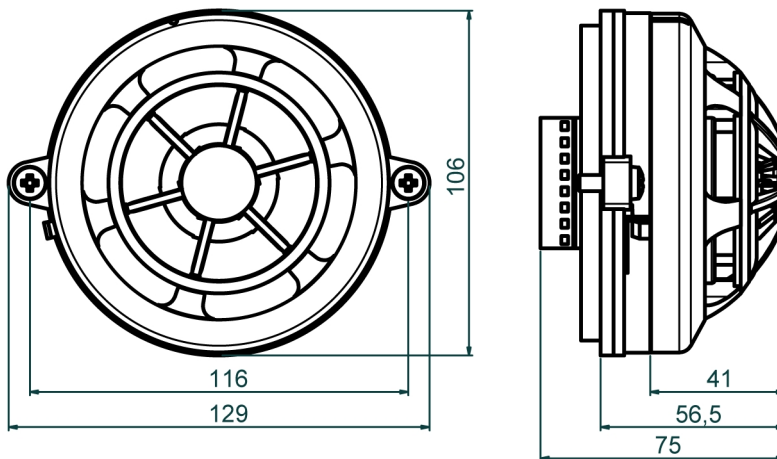
Use two cables with an alligator clip on one end and a stripped cable on the other end.

Use Programming tool EV-AD2, part no. 5200123-00A, as the addressing unit.

Instructions:

1. Connect cable no 1 between 1(+) and no 1 on EV-AD2, use the alligator clam.
2. Connect cable no 2 between 6(-) and no 6 on EV-AD2, use the alligator clam.
3. Continue by following the instructions for EV-AD2, found in data sheet no. 5200123-00A EV-AD2.

Dimensions (mm)



G003720