



G016692

Manual Call Point IP24

CN-MCP2-SCI

Part no. 5100380-00A

System: NSAC-1, TERRA FIRE, TERRA ONE

General Description

CN-MCP2-SCI is an addressable manual call point intended for indoor environments and designed for addressable fire alarm systems.

The call point has an integrated short circuit isolator (SCI). The SCI is an electrical (-) negative controlled short circuit isolator. Its function is fully automatic and does not require any settings in the configuration. However, the maximum number of none-SCI units installed to the next SCI (or DSCI) is 32.

CN-MCP2-SCI is a unique fire alarm manual call point that mimics the feel of breaking glass, whilst offering the user the benefits and safety advantages of a glass-free resettable operating element. Once activated, a warning flag drops in to view, easily identifying the call point that has been operated. The LED indicator lights up when the control panel has acknowledged the alarm. A key can then reset the unit.

The CN-MCP2-SCI provides an ideal solution for most fire alarm systems. It is ideal for industries that are sensitive to broken glass, as well as for areas that suffer from a high number of false activations such as schools, shopping centres and other public places.

Parts included in package:

- 1 MCP-2-SCI callpoint with wall mounting backbox
- 1 Frame for flush mounting (black, Ø cc: 60 mm)
- 1 Reset key
- 2 Screws and plugs for wall mounting
- 2 Screws for flush frame




NOTE!

The optional Cover Lid has to be ordered separately.

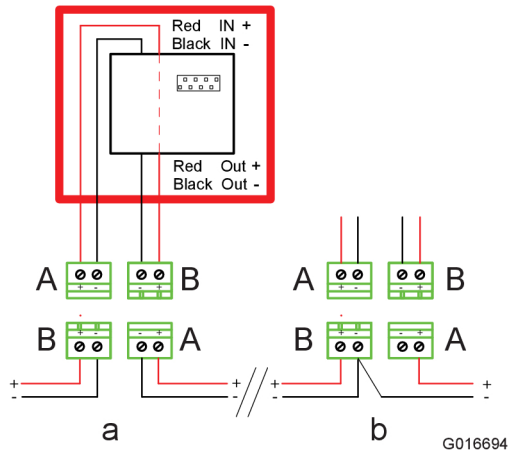
Accessories:

- 5400164-00A Swedish Cover Lid with text "BRANDLARM"
- 5400165-00A Plain Cover Lid (no text)
- 023264 Additional reset keys for MCP-2 (10 pc)

Data

Nominal voltage	35 V DC
Working voltage	20-38 V DC
Supervising current	0.2 mA
Alarm current	2 mA (LED On)
SCI (short circuit isolator)	(-) negative lead isolator
Address method	8-way DIL switch
Ingress protection	IP24
Temperature range	-25 °C to +70 °C
Ambient humidity	0 to 95% RH non-condensing
Material	POM/PC
Weight	115 g ± 5%
Dimensions	87 × 87 mm
Colour	Red
CE conformity	EN54-11 & EN54-17
Certified according to	 0359-CPR-00447 DOP no. 00440

Connections

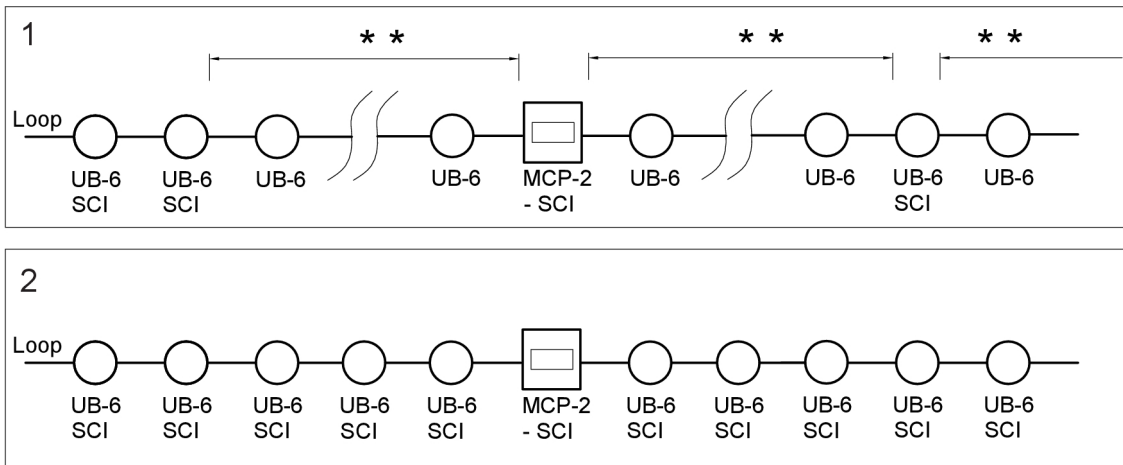


CN-MCP-2 SCI with negative (-) isolator:
 A: Female connector
 B: Male connector

Hint!
 Loop end plugs can be connected together for initial cable testing.

Figure 1. (a) with SCI function and (b) without SCI function

Typical use



G016699

- 1: **) Limitation: maximum 32 none SCI units to the next - SCI/DSCI unit.
- 2: There is no max quantity limitation of installed SCI units on the loop.

Mounting

The CN-MCP2-SCI Call Point is supplied with wall mounting back box and frame for flush mounting. See [Figure 2.](#), [Figure 3.](#) and [Figure 4.](#)

1. With the screws provided, fix the back box (a) or flush frame (g), to the wall.
2. Attach the optional cover lid (b) onto the call point (c).
3. Set the loop address by the 8 DIL switch. Connect cables and connectors as shown in [Figure 1.](#)
4. Carefully attach the call point (c) to the top of the back box (a) or flush frame (g). Hinge down to snap securely into place.

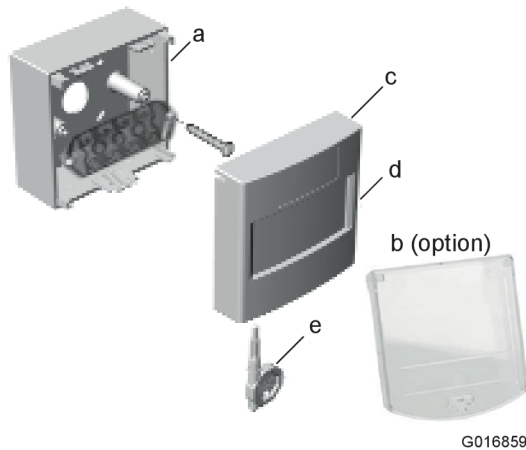


Figure 2. Wall mounting.

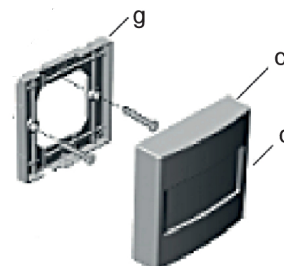


Figure 3. Flush mounting.

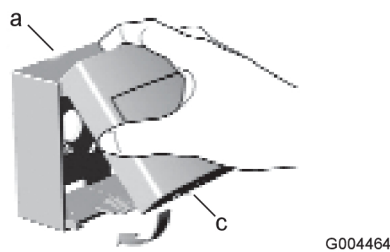


Figure 4. Set the loop address, connect and snap on call point.

- a. Surface mounting back box
- b. Option: Cover lid
- c. Call point (with fitting for the cover lid)
- d. Operating element
- e. Cable inlet, Ø 20 mm
- f. Four mounting holes, 4 × 7 mm
- g. Flush frame, for flush mounting

Detaching the call point from the wall plate or back box

See [Figure 5.](#)

1. Insert key into the bottom of the call point.
2. Keep the key inserted and with your hand pull the call point towards you.

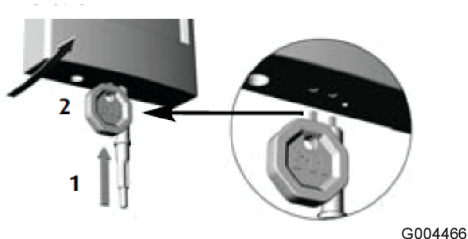


Figure 5. Detaching the call point.



NOTE!

For security reasons the call point is deliberately difficult to remove from the back box once fitted. Ensure that the call point is installed correctly before snapping is closed.

Dimensions (mm)

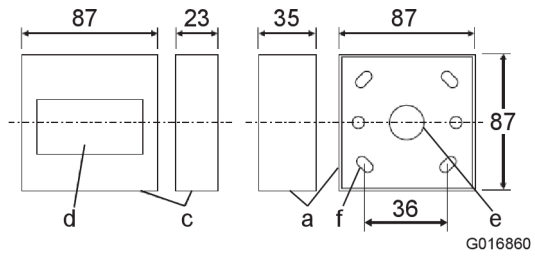


Figure 6. Dimensions manual call point

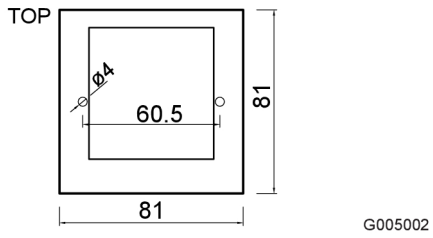


Figure 7. Dimensions wall plate (g)