



G010523

System: CGD50/500, CGS50/500

Power Supply

PSU M AC/DC 20A

Part no. 5100098-00A

General Description

PSU M AC/DC 20A powers the system. It is short-circuit proof.

For details on assembling a system and definitions of common system terms, refer to the Installation Manual.

Data

Input

Input voltage	AC 85 - 264 V
Input voltage	DC 90 - 350 V
Frequency range	AC 45 - 65 Hz
Inrush surge current	< 20 A
Fuse	12 A (slow-blow, internal) non replaceable

Output

Output voltage	24 V DC
Output voltage range	18 - 29,5 V DC
Working current	20 A
Max. output current	26 A (<40 °C)
Peak Current	120 A (12ms)

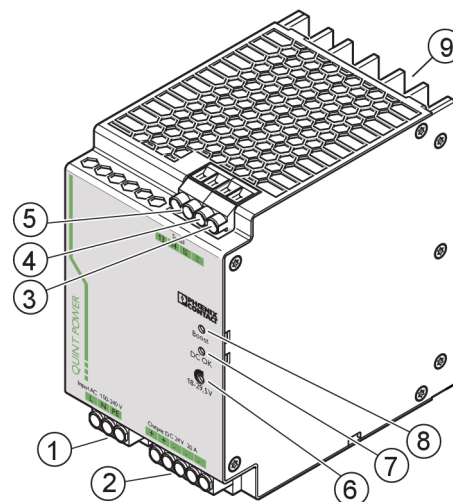
General

Weight	1,7 kg
Dimensions (W x H x D)	90 x 130 x 125 mm
Operating temperature	-25 °C to +70 °C (>40 °C lower capacity)
MTBF	> 520 000 h
Cable terminals	4 mm ² screw type

Certified according to

CSA, cULus Recognized, GOST, UL Listed, ABS, BSH, BV, DNV, GL, LR, RINA, Bauartgeprüft, IECEE CB Scheme, SEMI F47

Connections



G010762

1. AC input
2. DC output
3. POWER BOOST switching output, active
4. DC OK switching output active
5. DC OK output, floating
6. Potentiometer 18 V DC...29.5 V DC
7. "DC OK" LED
8. "BOOST" LED
9. Universal DIN rail adapter UTA 107/30

