



G002888

h

Repeater M 4.3

5100096-20A

General Description

The Repeater M 4.3 is a repeater panel with a 4.3" graphical colour display used to indicate system status for fire alarms, faults and disablements. Repeater M 4.3 can be mounted on any flat surface or flush mounted, independently from a fire alarm cabinet.

Repeater M 4.3 is equipped with communication buses for connecting to the system, and it provides the following features:

- A backlit 4.3" graphical colour display
- Alarm buzzer
- LED status indicators
- Backbone Bus interface
- Ethernet interface
- USB interface
- Two inputs and three outputs
- RS485 interface
- NMEA interface

Refer to the User Guide for more information on operating Repeater M 4.3.

For details on assembling a system and definitions of common system terms, refer to the Installation Manual.

Data

Operating voltage range	19-30 VDC
Current consumption (at 24V)	92 mA
Ingress protection	IP32
Operating temperature range	-40°C to +85°C (Tx)
Weight	620 g
Display	4.3", 480×272 pixels, TFT
Ethernet	10/100 Mbit, autosense
USB port 1	USB 2.0 Host
USB port 2	USB 2.0 Device
Input	24 VDC, analog
Output	24 VDC sinking, max. 40 mA
SD Memory	(Optional)
Certified according to	EN 50155

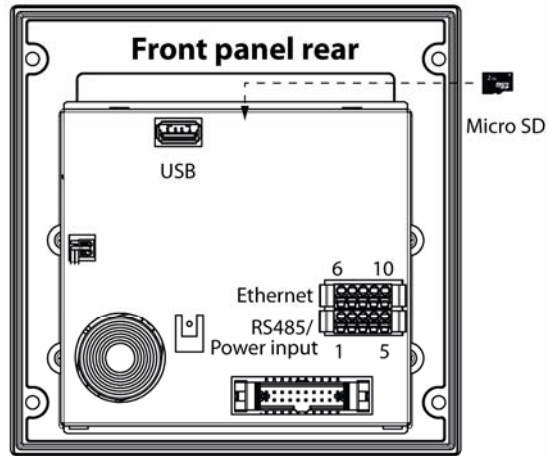
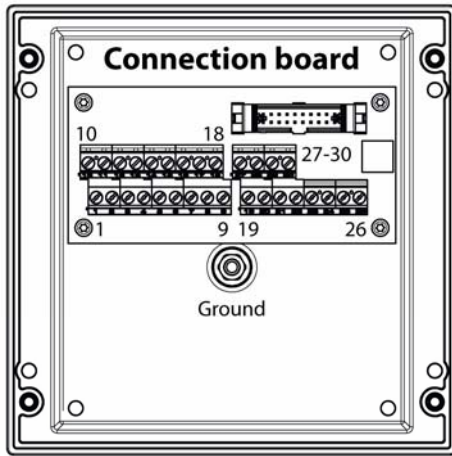
Indicators

Repeater M 4.3 indicators display system status. Refer to the User Guide for more information.

Connections

Repeater M 4.3 mounts outside of the central. Connect the Repeater M 4.3 to BusCon M 10. All Repeater M 4.3 connections are made on the

connection board, located at the bottom of the module box, and at the rear of the front panel. See figure below.

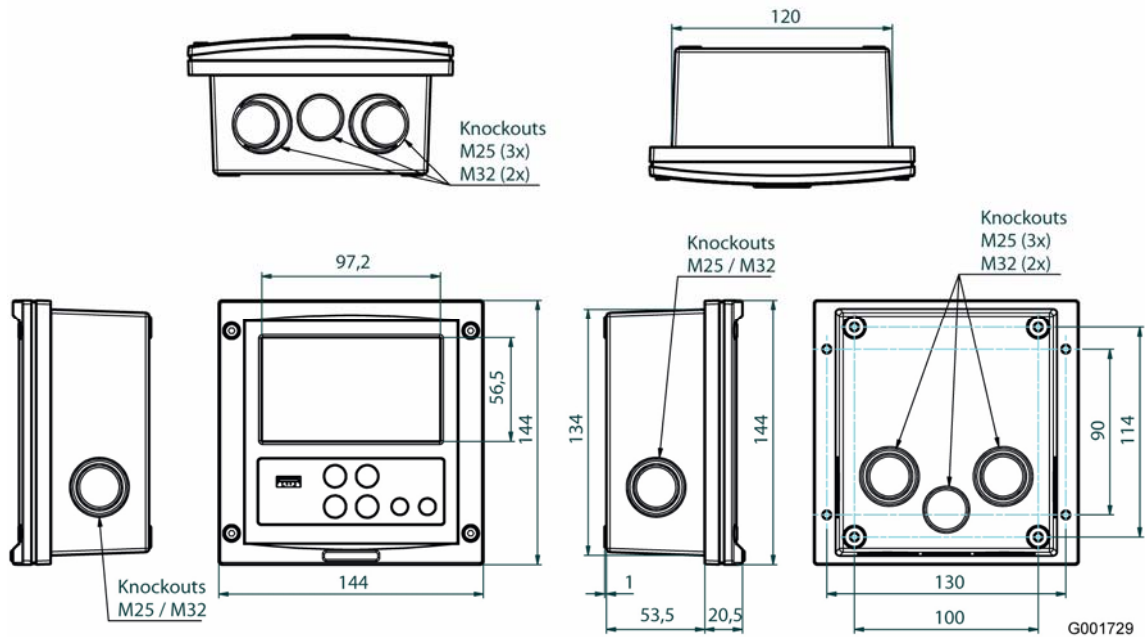


CONNECTION BOARD					
REPEATER M 4.3 ADDRESS:	IN	2	NMEA	30	
		2	INPUT	29	
	OUT	3	OUTPUT	28	
		2	OUTPUT	27	
	IN	1	OUTPUT	26	
		1	INPUT	25	
	REPEATER M 4.3 ADDRESS:	BBE, OUT	2	24V (24V)	24
			1	40mA	23
		BBE, IN	2	24V (24V)	22
			1	40mA	21
BBE, OUT		2	24VDC	20	
		1	40mA	19	
BBE, OUT		2	SIGNAL GROUND, BBE OUT	SG	18
		1	POWER SUPPLY	V-	17
BBE, IN		2	BBE2, OUT - 24VDC	V+	16
		1	POWER SUPPLY	V-	15
BBE, OUT	2	BBE1, OUT - 24VDC	V+	14	
	1	BACKBONE BUS EXTERNAL	D-	13	
BBE, IN	2	BBE2, OUT - RS485	D+	12	
	1	BACKBONE BUS EXTERNAL	D-	11	
BBE, OUT	2	BBE1, OUT - RS485	D+	10	
	1	SIGNAL GROUND, BBE IN	SG	9	
BBE, IN	2	POWER SUPPLY	V-	8	
	1	BBE2, IN - 24VDC	V+	7	
BBE, OUT	2	POWER SUPPLY	V-	6	
	1	BBE1, IN - 24VDC	V+	5	
BBE, IN	2	BACKBONE BUS EXTERNAL	D-	4	
	1	BBE2, IN - RS485	D+	3	
BBE, OUT	2	BACKBONE BUS EXTERNAL	D-	2	
	1	BBE1, IN - RS485	D+	1	

REPEATER M 4.3 ADDRESS:				
FRONT PANEL REAR	ETHERNET	ETHERNET Tx	Tx-	10
			Tx+	9
		ETHERNET Rx	Rx-	8
FRONT PANEL REAR	RS485		Rx+	7
		GROUND, ETHERNET	G	6
FRONT PANEL REAR	RS485	24VDC	V+	5
			V-	4
FRONT PANEL REAR	RS485		D+	3
			D-	2
FRONT PANEL REAR	RS485	SIGNAL GROUND, RS485	SG	1

G002889

Module Dimensions (mm)



Mounting Dimensions (mm)

