



G001756

Repeater M 4.3

Part no. 5100096

System: TERRA FIRE

General Description

The Repeater M 4.3 is a repeater panel with a 4.3" graphical colour display. It has different functions, shown by the text overlay and layout (different part numbers) and the corresponding layout setting in address mode setup.

Layout functions (see part no. below):

- Fire presentation panel. Two row custom text for each alarm and internal mute button.
- Alarm Organization panel. Fire presentation with button to delay output functions (investigation time) and button to reset the fire alarm within its delay time.
- Fire, Fault, Disablement presentation (Marine layout). Present an overview status with button to select view of each list. It has an internal mute button.

Repeater M 4.3 is equipped with communication buses for connecting to the system, and it provides the following features:

- A backlit 4.3" graphical colour display
- Alarm buzzer
- LED status indicators
- Backbone Bus / Extension Bus interface
- USB interface
- Two inputs and three outputs

Refer to the User Guide for more information on operating Repeater M 4.3.

For details on assembling a system and definitions of common system terms, refer to the Installation Manual.

Part No.

Repeater M 4.3 Marine layout - English	5100096-20A
Repeater M 4.3 Fire layout - Swedish	5100096-30A
Repeater M 4.3 Alarm Organization layout - Swedish	5100096-40A
Repeater M 4.3 Alarm Organization layout - Finnish	5100096-41A
Repeater M 4.3 Fire layout - Danish/Norwegian	5100096-50A
Repeater M 4.3 Fire layout - English	5100096-60A
Repeater M 4.3 Fire layout - Finnish	5100096-61A

Data

Operating voltage range	19-30 VDC
Current consumption (at 24V)	92 mA
Ingress protection	IP55
Operating temperature range	-5°C to +55°C
Weight	620 g
Display	4.3", 480×272 pixels, TFT
USB port	USB 1.1 Embedded Host
Input	24 VDC, digital
Output	24 VDC sinking, max. 40 mA
SD Memory	(Optional)

Indicators

Refer to the User Guide for more information.

Hot-Swap Replacement of the Module

Replace this module following these steps:

1. Remove all cable connections from the module.
2. If installed, move Micro SD memory from the old module to the new module.
3. Plug back all cable connections.
4. Address the module following the instructions under Addressing.

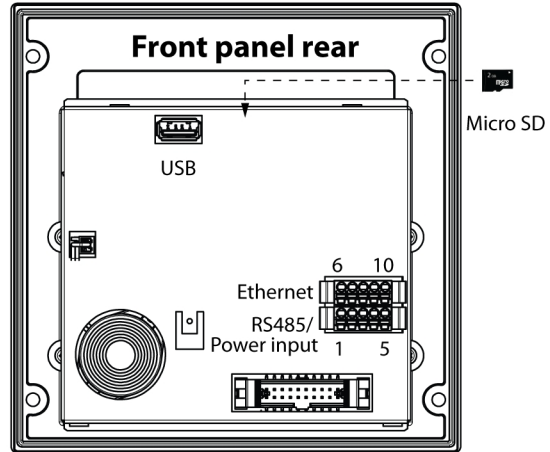
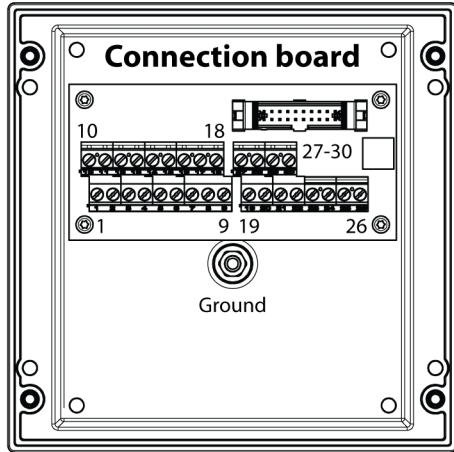
Connections

Connect the Repeater M 4.3 to BBE or to Extension Bus.



NOTE!

See figure below for connection alternatives; i.e. Connection board or Front panel rear.



CONNECTION BOARD

		NMEA INPUT	A	B	30
		Not used			29
IN	2	INPUT	(24V)	-	28
			+	27	
OUT	3	OUTPUT	24V	-	26
			40mA	+	25
					24
	2	OUTPUT	24V	-	24
			40mA	+	23
	1	OUTPUT	24V	-	22
			40mA	+	21
IN	1	INPUT	(24V)	-	20
			+	19	
BBE_OUT	2	SIGNAL GROUND, BBE OUT	SG		18
	2	POWER SUPPLY BBE2, OUT - 24VDC	V-		17
			V+		16
	1	POWER SUPPLY BBE1, OUT - 24VDC	V-		15
			V+		14
	2	BBE2 OUT - RS485	D-		13
			D+		12
	1	BBE1 / EXTENSION BUS OUT - RS485	D-		11
			D+		10
	BBE_IN	2	SIGNAL GROUND, BBE IN	SG	
2		POWER SUPPLY BBE2, IN - 24VDC	V-		8
			V+		7
1		POWER SUPPLY BBE1, IN - 24VDC	V-		6
			V+		5
2		BBE2 IN - RS485	D-		4
			D+		3
1		BBE1 / EXTENSION BUS IN - RS485	D-		2
			D+		1

FRONT PANEL REAR

ETHERNET	ETHERNET Tx	Tx-	10
	Not used	Tx+	9
	ETHERNET Rx	Rx-	8
	Not used	Rx+	7
GROUND, ETHERNET		G	6
RS485	POWER INPUT 24VDC	V+	5
		V-	4
	EXTENSION BUS RS485	D+	3
		D-	2
SIGNAL GROUND, RS485		SG	1

G002889

BBE = Backbone Bus External

RS485 Termination

For RS485 Termination the built-in terminator (120 ohm) can be activated with the RS485 DIP switch located on the rear of the front panel.

For recommendations and examples on RS485 Termination, refer to the Installation Manual.

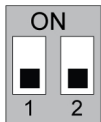
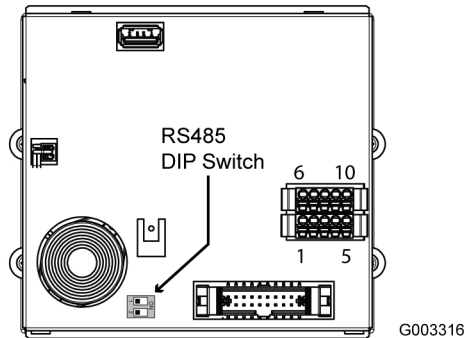
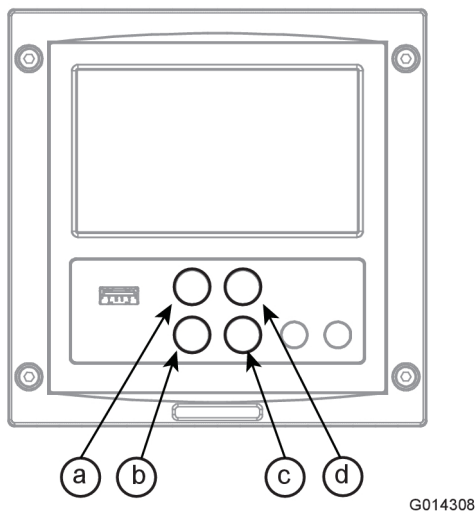


Table 1. DIP switch for RS485 Termination

DIP Switch No.	Description	ON	OFF
1	BBE1	Active	Deactivated
2	BBE2	Active	Deactivated

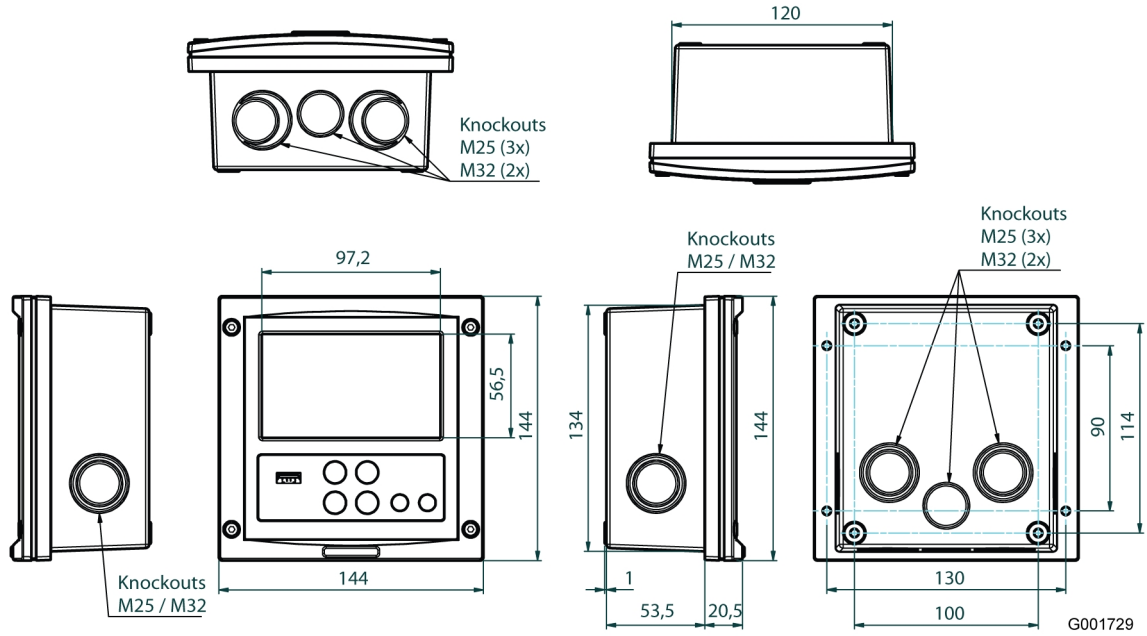
Addressing



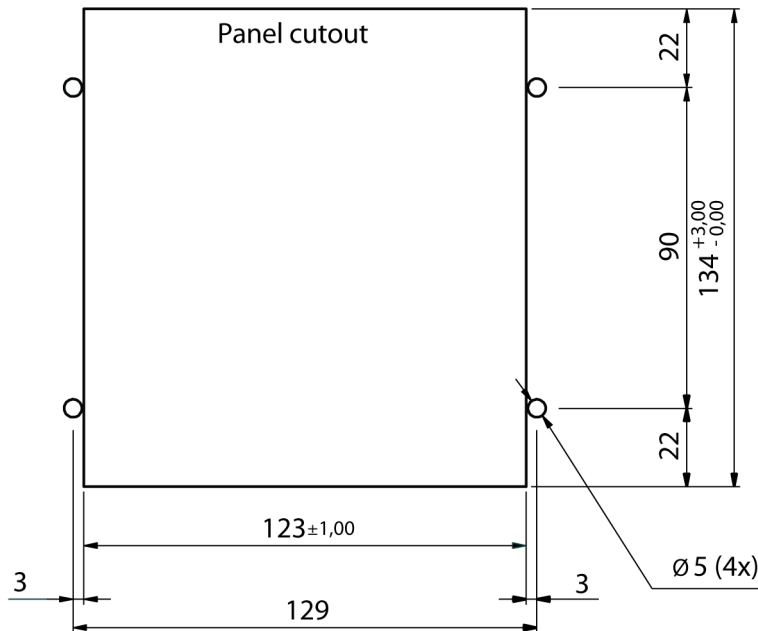
- 1 Press both arrow keys (b) + (d) to open the Enter Access Code menu. Approximate 4-5 seconds.
 - 1.1 Use the arrow keys to scroll and select the digits for the Access Code.

- 1.2 Confirm with the Local Mute button (a) (= Next digit or Enter). (b) = Previous.
- 2 Proceed to choose address and layout for the Repeater module:
 - Enter Central Address
 - Enter Module Address
 - Enter Layout
- 2.1 Reboot the Repeater module (it will take the module about 20 seconds to restart).
- 2.2 For all menu alternatives use the arrow keys to scroll and select. Confirm with the Local Mute button.
- 2.3 Follow the instructions on the lower part of the screen.

Module Dimensions (mm)



Mounting Dimensions (mm)



G001730