



PSU M AC/DC 5A

Part no. 5100087-02A

System: Salwico Cargo, Salwico Cruise, Salwico LNG, Salwico Offshore, Salwico Ro/Pax, Salwico Workboat, Salwico Yacht, Salwico Navy, OEM Extinguish, CGD50/500, CGS50/500

G000187

General Description

PSU M AC/DC 5A powers the system. It is short-circuit proof and can be used in pairs to supply 5+5 A.

For details on assembling a system and definitions of common system terms, refer to the Installation Manual.

Data


Input

Input voltage AC	85 – 264 V
Input voltage DC	90 – 350 V
Frequency range AC	45 – 65 Hz
Inrush surge current	< 15 A
Fuse	5A (slow-blow, internal) non replaceable

Output

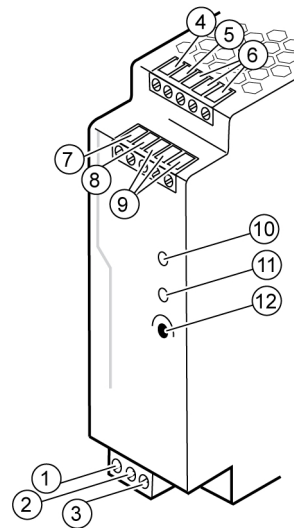
Output voltage	24 V DC
Output voltage range	18 – 29,5 V
Working current	5 A
Max. output current	7.5 A (<40°C)
Peak Current	30 A (12ms)

General

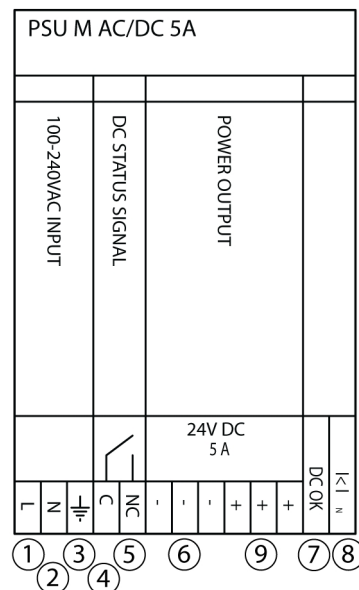
Weight	760g
Operating temperature	-25°C to +70°C (>40°C lower capacity)
MTBF	> 500 000
Cable terminals	2.5mm ² screw type
Certified according to	 2531/yy

yy = year of production

Connections



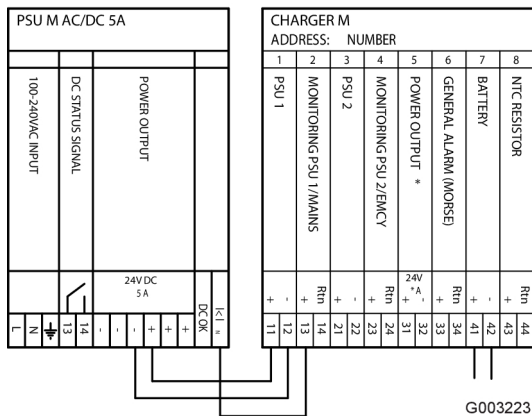
G000183



G003018

Connection to Charger M

An example of installation with PSU M AC/DC 5A and Charger M.



*Note: Max power output depends on PSU capacity and BB load.

Mounting

Mount the module horizontally on a 35 mm DIN rail in the cabinet provided by your supplier.

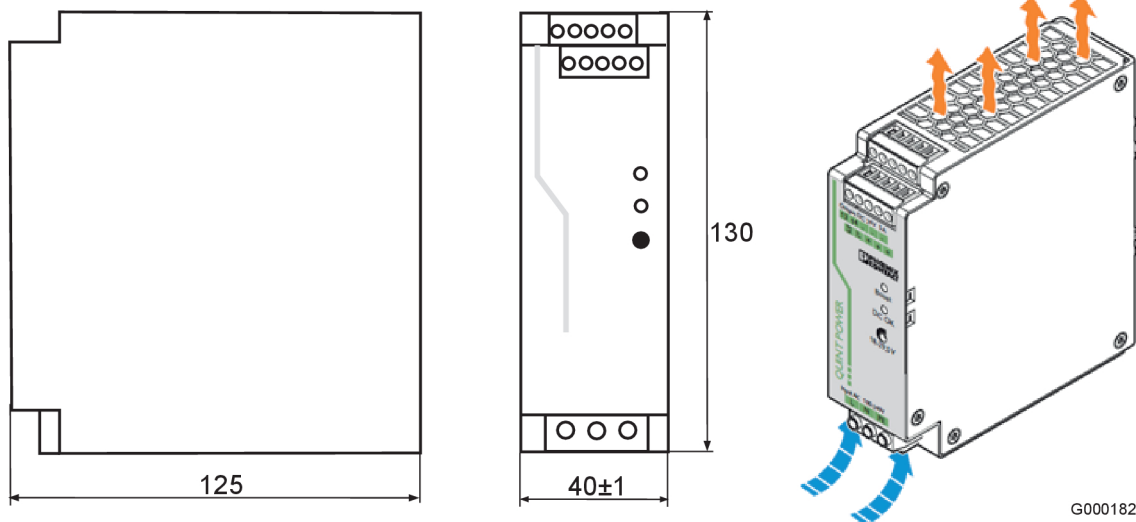


CAUTION!

In order to guarantee sufficient convection, we recommend observing the following minimum distance to other modules: 5 cm in the vertical direction and 0.5 cm in the horizontal direction. A lateral distance of 5 mm, and in case of active components, that of 15 mm is necessary for proper functioning of the module.

Depending on the ambient temperature and the load of the module, the housing can become very hot!

Module Dimensions (mm)



Adjusting Output

Position	Function	Description
12	Potentiometer (Output V)	18-29.5 V DC. See the battery datasheet for battery charge (normally 28 V at 20°C).

Indicators

The DC OK can be used to evaluate the function of the power supply directly at the installation location. BOOST is active when $I > 5$ A.

Position	Indicator
10	BOOST (on/off)
11	DC OK (yes/no)

Fuses

An internal input fuse (non replaceable) safeguards the PSU, and additional device protection is not required.

A circuit breaker 10 A with characteristic B (or equivalent) is recommended as a backup fuse.