

G000267

I/O M 70 H

Part no. 5100075-01A

System: TS1000/CM-4.3 & TS1000/CM-2.2

General Description

I/O M 70 provides eight programmable I/O 70 channels, each individual channel can be configured as either:

- Programmable Inputs
- Programmable Outputs max 70mA for buzzers, relays etc
- Conventional detector zones

This module monitors conventional detectors, digital inputs, two-wired inductive sensors and controls low-power units, such as buzzers and relays.

For details on assembling a system and definitions of common system terms, refer to the Installation Manual.

Data

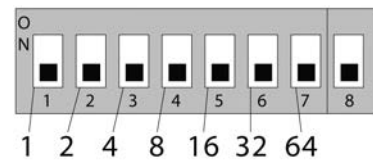
Operating voltage range	19-30 VDC
Current consumption (at 24 V)	12 mA
Current consumption (at 8 EIR 10 k Ω)	32 mA
Max. current per channel	70 mA
Max. total current	0.6 A
ELR fire zones	10 k Ω
ELR input	10 k Ω
Cable terminals	2.5 mm ²
Operating temperature range	-40°C to +85°C (Tx)
Weight (with housing)	130g
Spare part no. (without housing)	5100074-01A
Certified according to	EN 50155

Settings

The module is identified by a physical address on the Backbone Bus. The address is set with an 8-pole DIP switch.

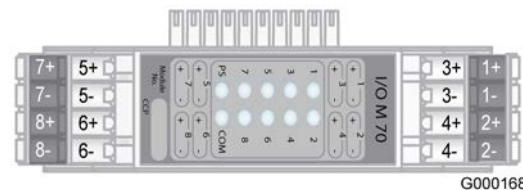
Address switch

The DIP switch value follows the binary system. The address no. can be set from 1 to 126 using DIP-switch poles 1 to 7.



G000668

Connections

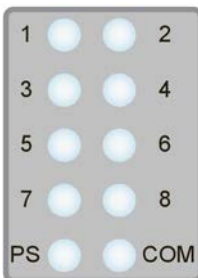


G000168

I/O M 70 ADDRESS:							
1	2	3	4	5	6	7	8
I/O 70 PROGRAMMABLE OUTPUT	I/O 70 PROGRAMMABLE OUTPUT	I/O 70 PROGRAMMABLE OUTPUT	I/O 70 PROGRAMMABLE OUTPUT	I/O 70 PROGRAMMABLE OUTPUT	I/O 70 PROGRAMMABLE OUTPUT	I/O 70 PROGRAMMABLE OUTPUT	I/O 70 PROGRAMMABLE OUTPUT
24V 70mA	24V 70mA	24V 70mA	24V 70mA	24V 70mA	24V 70mA	24V 70mA	24V 70mA
1+	1-	2+	2-	3+	3-	4+	4-
				5+	5-	6+	6-
						7+	7-
							8+

G002246

Indicators

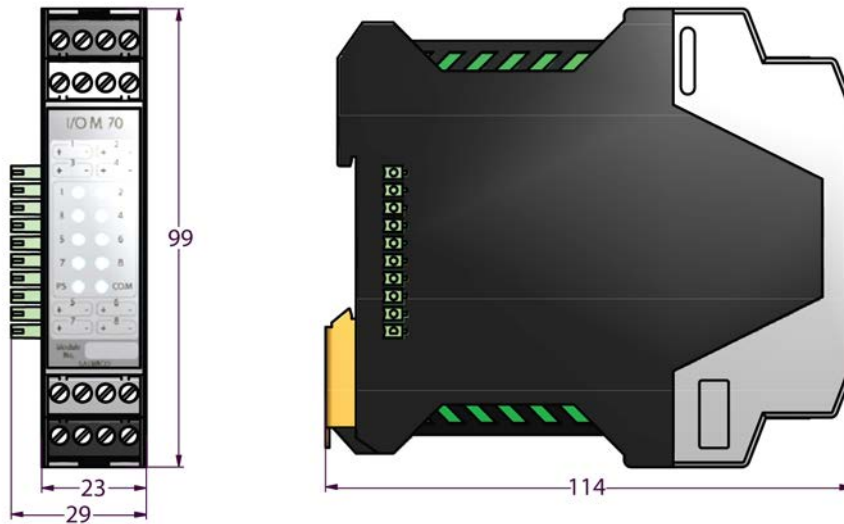


G000748

Indicator	Colour, pattern	Module status when used as an input	Module status when used as an output
Channels 1 – 8	Red	The input is activated	The output is ON
	Yellow	Input fault	Output fault
	None	The input is not activated	The output is OFF

Indicator	Colour, pattern	Module status
PS (Power Supply)	Green	Power OK
	Yellow	Power Fault
COM (Communication)	Green	Communication OK
	Green, flashing	Communication OK, module not configured
	Yellow	Communication fault
PS + COM	PS = Yellow, flashing COM = Green	Boot-loader mode
PS + COM (both flashing)	PS = Yellow, flashing COM = Yellow, flashing	Boot-loader mode, Firmware download in progress
PS + COM	PS = Yellow, flashing COM = None	Safe State (module is not functional)

Module Dimensions (mm)



G001036

Mounting

Mount the module horizontally on a 35 mm DIN rail in the cabinet provided by your supplier.