

G003115

System: TS1000, CFD500 T

Base **UB-6**

Part no. 044445

General Description

UB-6 is a low profile base plate for smoke, heat and flame detectors.

UB-6 is developed to replace the following bases:

- UB-1
- UB-2
- UB-5
- NS-BNCL

Please see separate document "Base Matrix" for information about suitable bases for detectors.

The base plate is made for use in dry and clean spaces, and it can be used for both addressable and conventional fire alarm systems. Some detectors might require special bases.

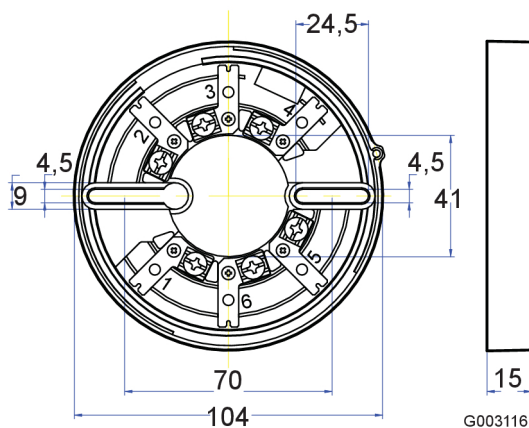
The cable entry is from the centre or from the side of the base.

UB-6 is prepared for SUM-2 assembly. Detectors in the CN, EV and EVC series can be locked to the base using a 1,5 mm hexagon key.

Data

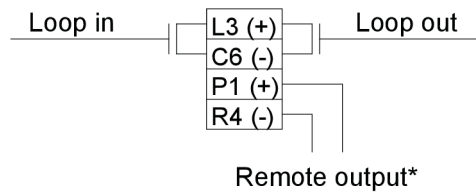
| | |
|--------------------|--|
| Ingress protection | IP22 |
| Cable terminals | Max 1.5 mm ² , preferred 1.0 mm ² or stripped cables |
| Material | PC/ABS |
| Colour | Signal white, RAL 9003 |
| Weight | 60g ±5% |

Dimensions (mm)



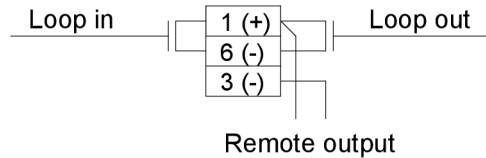
Connection

Connection of addressable detectors IA, OA, TDT and EV-PP series:



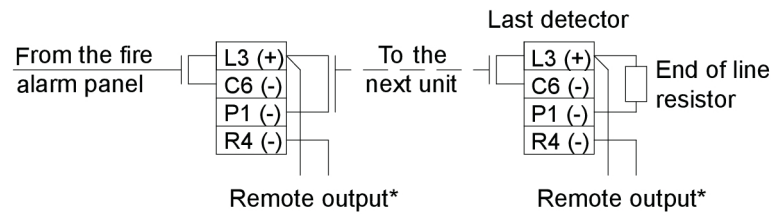
G003132

Connection of addressable detectors NS, CN and EV-series** (EV-PP excluded):



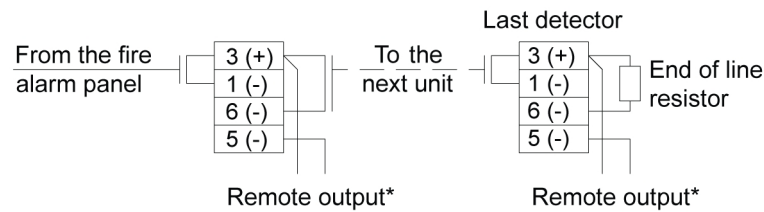
G003133

Connection of conventional detectors DIS3, DOS3, and HC100:



G003134

Connection of conventional flame detectors EVC-series (EVC-PY-IS excluded):



G003135

* All types of detectors do not have the remote output. Please refer to the data sheet for the detector in question.

** For loop units with short circuit isolators, see connection on data sheet for that unit.