

G003115

Salwico UB-6

Part no. 044445

Draft 230704

System: All Salwico fire alarm systems

General Description

UB-6 is a low profile base plate for smoke, heat and flame detectors.

UB-6 is developed to replace the following bases:

- UB-1
- UB-2
- UB-5
- NS-BNCL

Please see separate document "Base Matrix" for information about suitable bases for detectors.

The base plate is made for use in dry and clean spaces, and it can be used for both addressable and conventional fire alarm systems. Some detectors might require special bases.

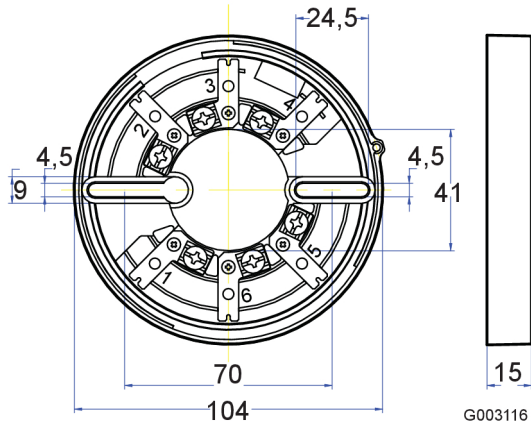
The cable entry is from the center or from the side of the base.

UB-6 is prepared for SUM-2 assembly. Detectors in the CN, EV and EVC series can be locked to the base using a 1,5 mm hexagon key to prevent tampering of the detector. Using this locking functionality is optional.

Data

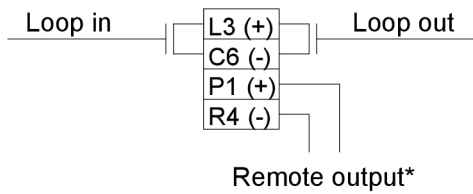
Ingress protection	IP22
Cable terminals	Max 1.5 mm ² , preferred 1.0 mm ² or stripped cables
Material	PC/ABS
Colour	Signal white, RAL 9003
Weight	60g ±5%

Dimensions (mm)



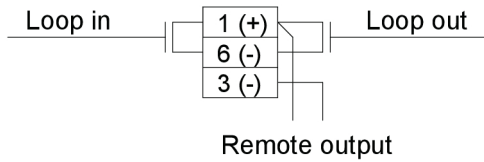
Connection

Connection of addressable detectors IA, OA, TDT and EV-PP series:



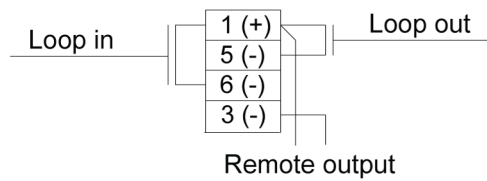
G003132

Connection of addressable detectors NS, CN and EV-series without SCI (EV-PP series excluded):



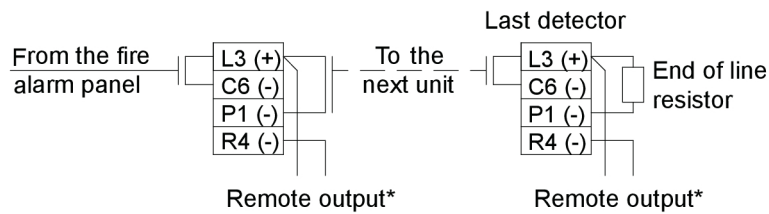
G003133

Connection of addressable detectors EV series with SCI (EV-PP excluded):



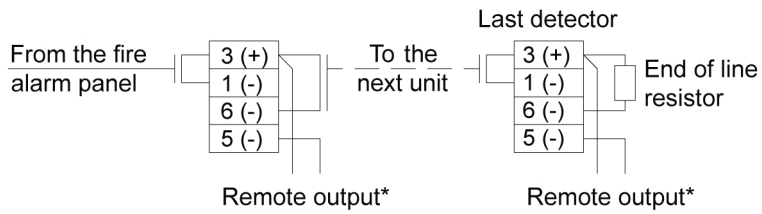
G026448

Connection of conventional detectors DIS3, DOS3, and HC100:



G003134

Connection of conventional flame detectors EVC series (EVC-PY-IS excluded):



G003135

* All types of detectors do not have the remote output. Please refer to the data sheet for the detector in question.