



G002288

# Optical Smoke Detector

## **Salwico EV-P**

Part no. 040020

System: CS3000, CS4000, NSAC-1, Salwico Cargo, Salwico Cruise, Salwico LNG, Salwico Offshore, Salwico Ro/Pax, Salwico Workboat, Salwico Yacht, Salwico Navy, OEM Extinguish

### General Description

Salwico EV-P is an analogue addressable smoke detector with an optical chamber.

Salwico EV-P is designed to give early warning for the presence of smoke in the supervised area. At the same time the detector offers a high protection against unwanted alarms.

Salwico EV-P is equipped with OMNIVIEW 360° LED indicator giving a clear, full 360° visibility of the red alarm indication.


The detector can be placed in harsh environments if it is mounted on a splash proof base. See separate document "Base matrix Salwico units" for information about suitable base plate.

The technical detector address is set with a special programming tool. Valid addresses are 1-254.

Salwico EV-P has a fine pitch net which improves the response to smoke and also reduces the amount of dust etc entering the detector.

Salwico EV-P is equipped with an output for remote indication.

### Data

Function	Optical light scattering
Nominal voltage	24 V DC
Operating voltage	20–38 V DC
Operating current	0.2 mA
Alarm current	5 mA
Current for remote indication	Max 2 mA
Ingress protection	IP44 (if used together with IP-BASE, 5100774-00A and IP-ADAPT/IP-ADAPT SCI, 5100775-00A/5100776-00A)
Cable terminals	Depends on base
Temperature range	-25 °C to +70 °C
Ambient humidity	0 to 95% RH non-condensing
Material	PC/ABS
Colour	White
Weight (w/o base)	120 g ± 5%
Programming tool	Part no. 5200123-00A
Certified according to	 2531/yyyy yyyy = year of production



#### NOTE!

Do not remove the dust cover from the detector until all polluting (dusty) activities are finished and the area has been cleaned.

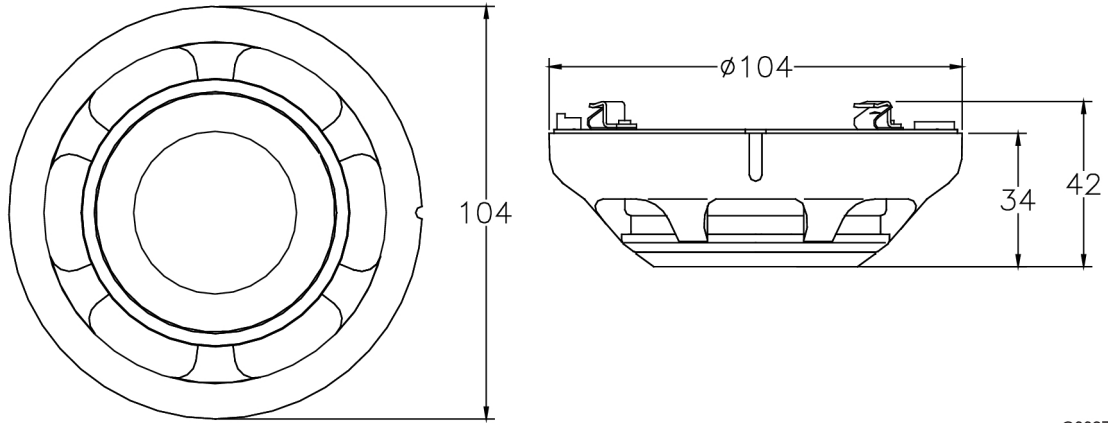
### Connection



#### Hint!

For connection, please refer to the data sheet for the selected base plate.

## Dimensions (mm)



G002794