



G003740

# Heat Detector

## **Salwico EV-H-CS**

### **84°C IP67**

Part no. 040006

System: CS3000, CS4000, NSAC-1, Salwico Cargo, Salwico Cruise, Salwico LNG, Salwico Offshore, Salwico Ro/Pax, Salwico Workboat, Salwico Yacht, Salwico Navy, OEM Extinguish

### General Description

Salwico EV-H is an analogue addressable heat detector molded together with base adapter SPB-ADAPT to fulfill IP67.

Salwico EV-H is designed to give early warning for the presence of heat in the supervised area, and is available in two temperature classes: CS (fixed 84°C) and A1R (fixed 54°C + rate of rise 0.8°C/min), see separate part no. for 54°C.


Salwico EV-H is equipped with OMNIVIEW 360° LED indicator giving a clear, full 360° visibility of the red alarm indication.

The detector can be placed in harsh environments if it is mounted on a splash proof base. See separate document "Base Matrix" for information about suitable base plate.

The technical detector address is set with a special programming tool. Valid addresses are 1-254.

Salwico EV-H is equipped with an output for remote indication.

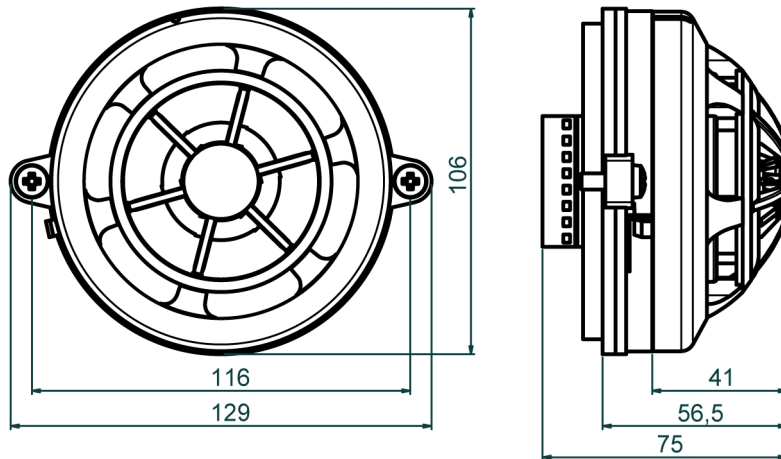
### Data

Function	Heat detector with thermistor; class CS. Alarm level: 84 °C
Operating voltage	20–38 V DC
Operating current	0.2 mA
Alarm current	5 mA
Current for remote indication	Max 2 mA
Ingress protection	IP67
Cable terminals	2.5 mm <sup>2</sup>
Temperature range	-25 °C to +80 °C
Ambient humidity	0 to 95% RH non-condensing
Material	PC/ABS
Colour	White
Weight	300 g ± 5%
Certified according to	 0832/yyyy yyyy = year of production

### Related products:

Detector base	5100774-00A IP-BASE
Programming tool	5200123-00A EV-AD2
Heat detector	5101059-00A EV-H-A1R IP-ADAPT 54°C IP67

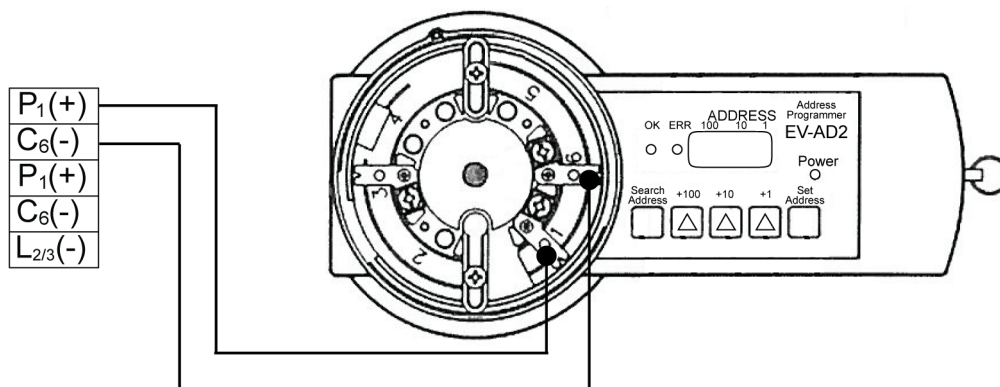
## Dimensions (mm)



G003720

## Addressing

How to set address on the detector



G003953

### Prerequisites:

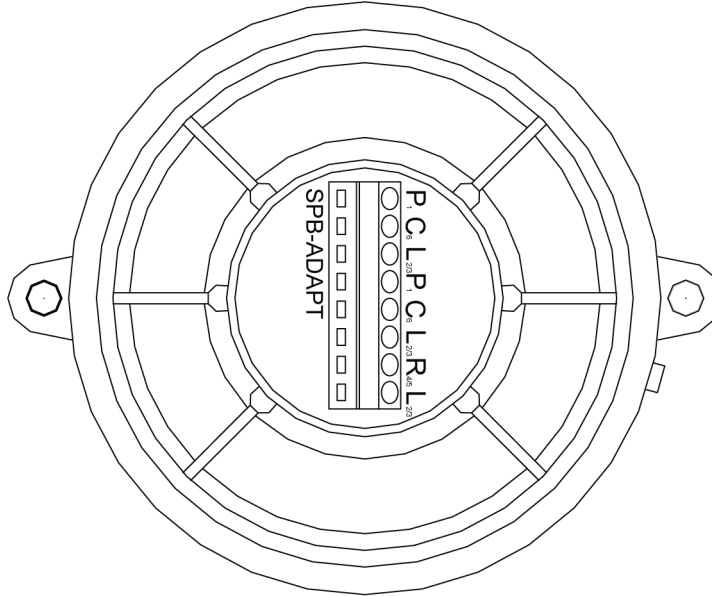
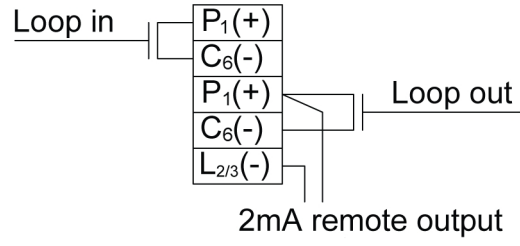
Use two cables with an alligator clam on one end and a stripped cable on the other end.

Use Programming tool EV-AD2, part no. 5200123-00A, as the addressing unit.

### Instructions:

1. Connect cable no 1 between P<sub>1</sub>(+) on the detector and no 1 on the programming tool, using the alligator clam.
2. Connect cable no 2 between C<sub>6</sub>(-) on the detector and no 6 on the programming tool, using the alligator clam.
3. Continue by following the instructions for EV-AD2, found in data sheet no. 5200123-00A EV-AD2.

### Connection



G003721