



G002018

Heat Detector IP67

Salwico HC100

D-IP67

Part no. 038022

System: C300, C308, C316, CS3000, CS3004, CS4000,
NSAC-1, Salwico Cargo, Salwico Cruise, Salwico Workboat,
Salwico Yacht

General description

The HC100 D-IP67 is a conventional heat detector for use with all Salwico Fire Alarm Systems. It is delivered complete with adapter and base. In this version of HC100 the detector and adapter are moulded together and filled with a special moulding compound that gives it high resistance against dampness and vibrations. The detector can not be separated from the adapter. The HC100 D-IP67 is suitable for location in harsh environments.

The heat sensing element is of thermistor type with a short response time to changes in the ambient temperature. Alarms are optically indicated until they are reset on the central.

The detector is environmentally adapted in aspects of the selection of material and design.

The detector is polarisation independent (unless the remote output is used) which simplifies the installation.

Data

Function	Conventional
Working voltage	16 - 30 VDC
Alarm temperature	100 °C
EN54 Heat Classification	D
Ingress protection	IP67, IEC60529:2001
Working current	< 25 µA
Alarm current	Max 54 mA
Remote output	Max 2 mA
Ambient humidity	95% RH at 55°C
Temperature range	-25°C to +115°C
Material	PC/ABS
Colour	White
Weight	420 g ± 5%

Certifications

MED Certified according to:
EN 54-5:2017/A1:2018
IEC 60092-504:2016
IEC 60533:2015



2531/yy
yy = year of production
DoC no: DOC-004792

CPR Certified according to:
EN 54-5:2017/A1:2018

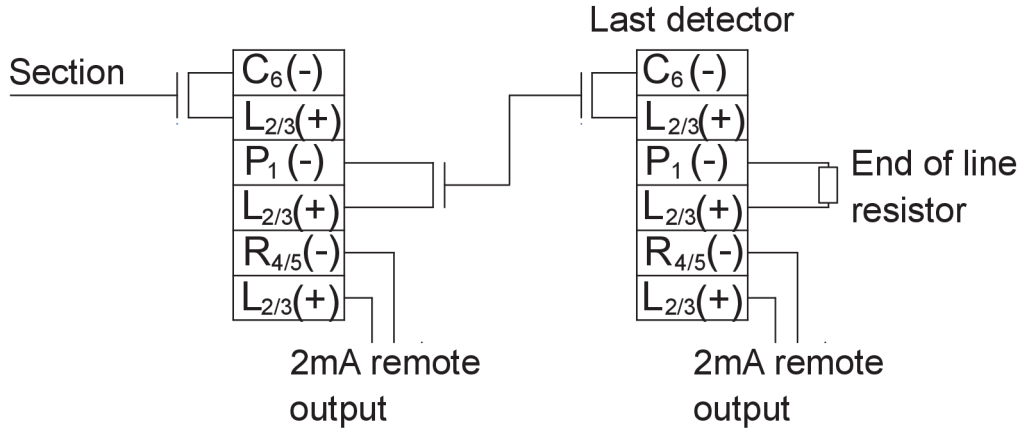


DoP no.6301902

Cleaning

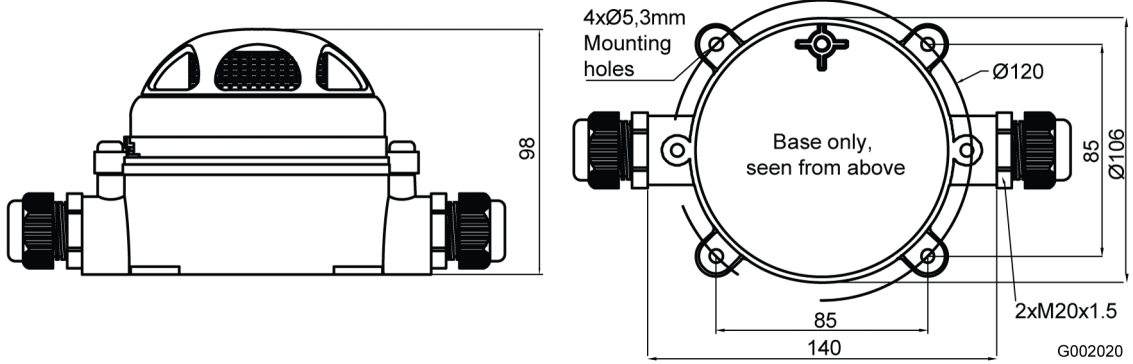
Only clean outside of detector by using a damp cloth.

Connection



G008681

Dimensions (mm)



G002020